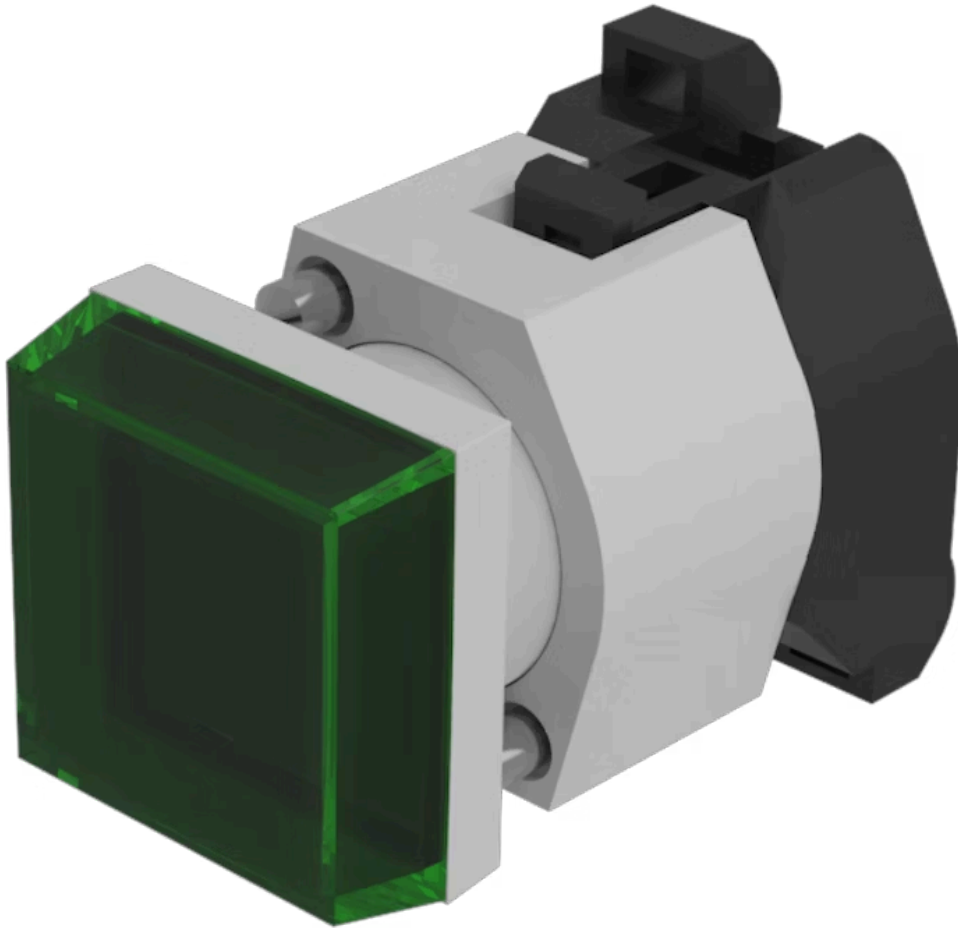


# Actuator

704.200.5

Distribution by  
DigiKey

**DigiKey**



<https://digikey.eao.com/p/704.200.5>

Your product:

---



## 704.200.5 Actuator

### FRONT

|                              |               |
|------------------------------|---------------|
| <b>Front dimension:</b>      | 30 mm x 30 mm |
| <b>Front form:</b>           | Square        |
| <b>Front bezel colour:</b>   | Grey          |
| <b>Front bezel material:</b> | Plastic       |

### MOUNTING

|                       |                |
|-----------------------|----------------|
| <b>Design:</b>        | Raised         |
| <b>Mounting type:</b> | Panel mounting |

### OPERATING-/INDICATION PART

|                                 |             |
|---------------------------------|-------------|
| <b>Lens cap colour:</b>         | Green       |
| <b>Lens cap material:</b>       | Plastic     |
| <b>Lens cap optical effect:</b> | transparent |
| <b>Marking cap colour:</b>      | White       |
| <b>Marking cap optics:</b>      | translucent |

### ELECTRICAL CHARACTERISTICS

|                          |   |
|--------------------------|---|
| <b>Switching rating:</b> |   |
| <b>Standards:</b>        | The switches comply with the "Standards for low-voltage switching devices" DIN EN 60947-1 |

### MECHANICAL CHARACTERISTIC

|                  |                |
|------------------|----------------|
| <b>Terminal:</b> | Screw terminal |
|------------------|----------------|

**Weight:** 0.05 kg

### AMBIENT CONDITION

**IP Protection:** IP65 front side

**Operating temperature:** - 40 °C ... + 55 °C

**Storage temperature:** - 40 °C ... + 85 °C

### CERTIFICATE

**REACH:** REACH compliant

**RoHS:** RoHS compliant

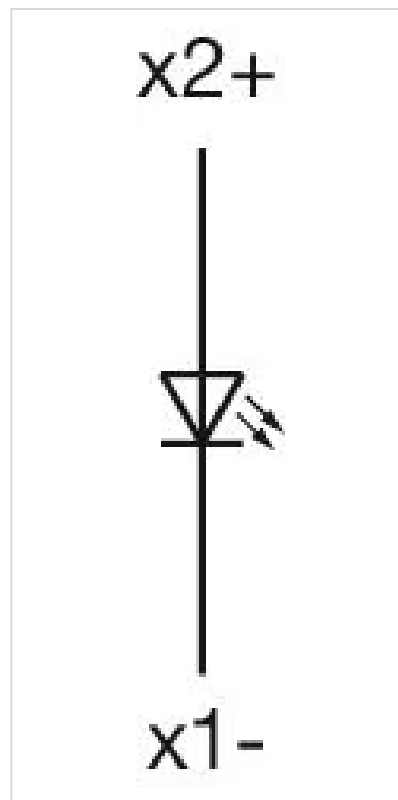
### OTHER

**Short Description:** Actuator, 30 mm x 30 mm, Square, Grey, Plastic, Screw terminal

**Housing colour:** Grey

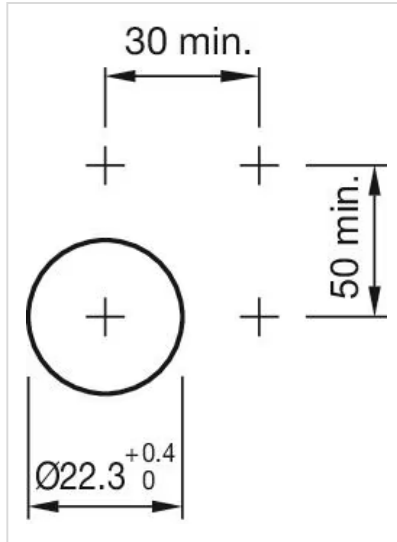
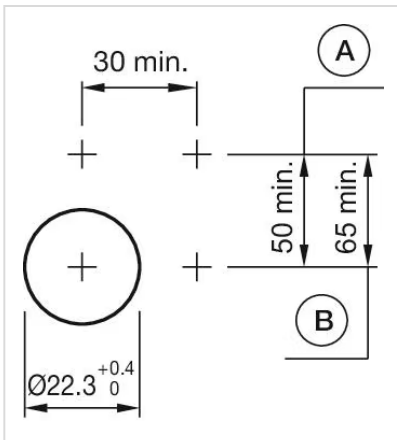
**Housing material:** Plastic

**Wiring diagrams:**

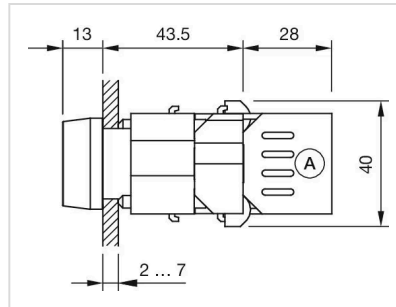


**Mounting cut-outs:**

A = Screw terminal  
 B = Push-in terminal (PIT)



**Dimension drawings:**



A = Screw terminal

