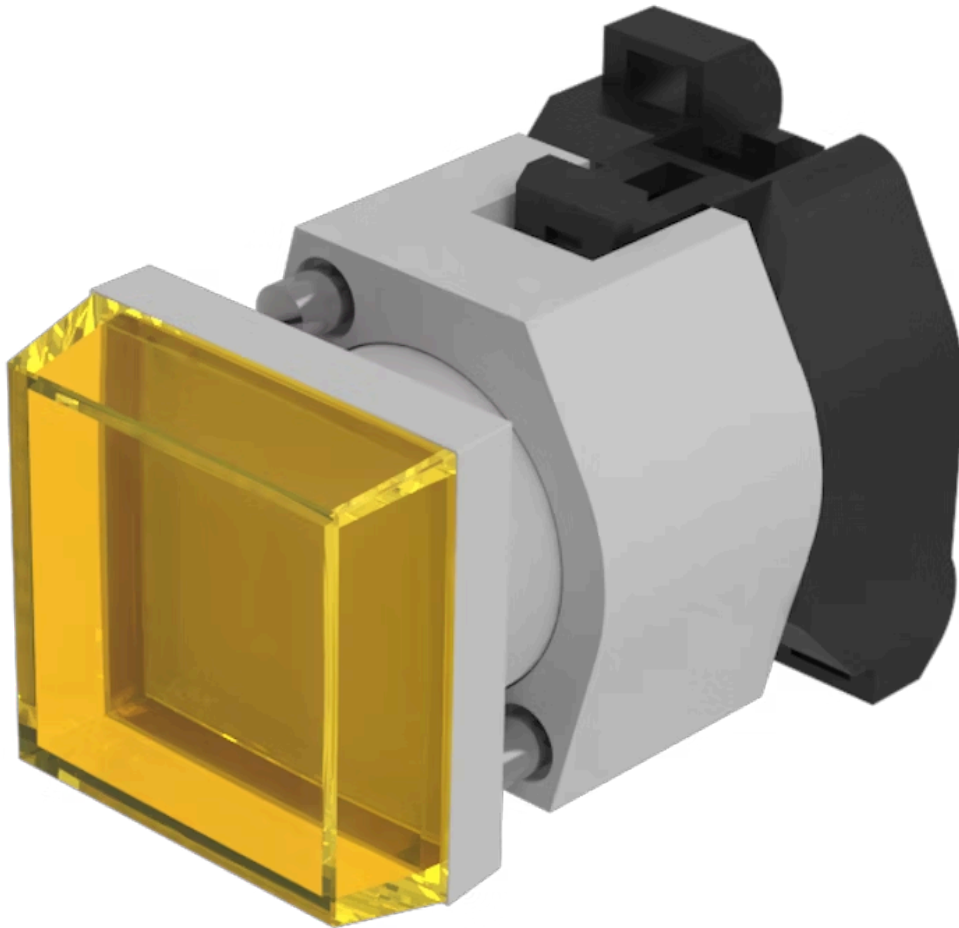


Actuator

704.200.4

Distribution by
DigiKey

DigiKey



<https://digikey.eao.com/p/704.200.4>

Your product:



704.200.4 Actuator

FRONT

Front dimension:	30 mm x 30 mm
Front form:	square
Front bezel colour:	Grey
Front bezel material:	Plastic

MOUNTING

Design:	raised
Mounting type:	Panel mounting

OPERATING-/INDICATION PART

Lens cap colour:	Yellow
Lens cap material:	Plastic
Lens cap optical effect:	transparent
Marking cap colour:	White
Marking cap optics:	translucent

ELECTRICAL CHARACTERISTICS

Standards:	The switches comply with the "Standards for low-voltage switching devices" DIN EN 60947-1
-------------------	---

MECHANICAL CHARACTERISTIC

Terminal: Screw terminal

Weight: 0.05 kg

AMBIENT CONDITION

IP Protection: IP65 front side

Operating temperature: - 40 °C ... + 55 °C

Storage temperature: - 40 °C ... + 85 °C

CERTIFICATE

REACH: REACH compliant

RoHS: RoHS compliant

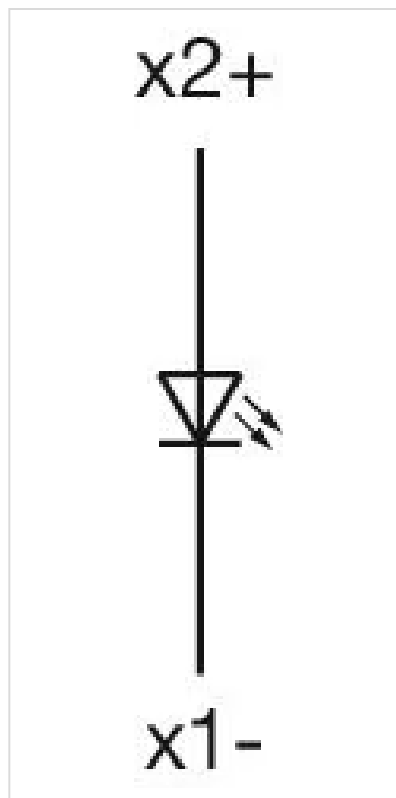
OTHER

Short Description: Actuator, 30 mm x 30 mm, square, Grey, Plastic, Screw terminal

Housing colour: Grey

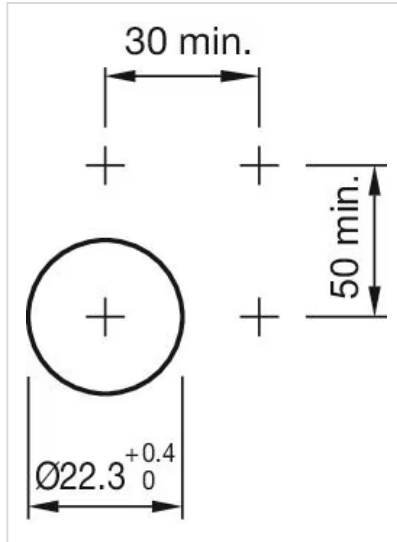
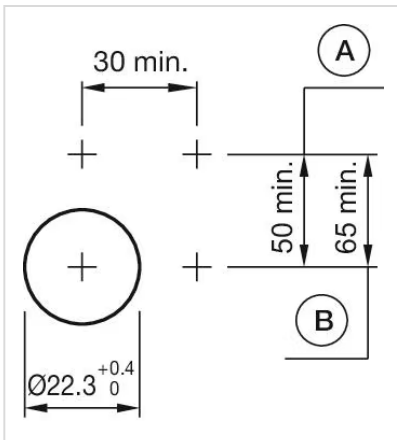
Housing material: Plastic

Wiring diagrams:

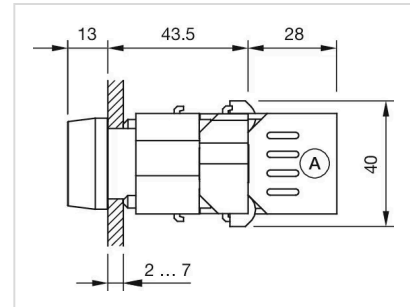
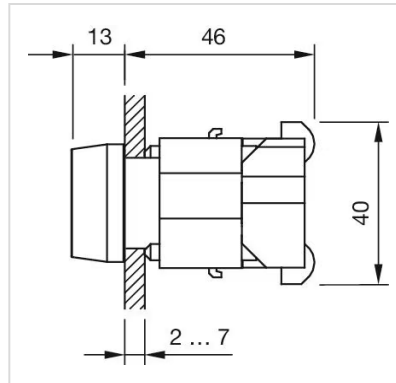


Mounting cut-outs:

A = Screw terminal
 B = Push-in terminal (PIT)



Dimension drawings:



A = Screw terminal