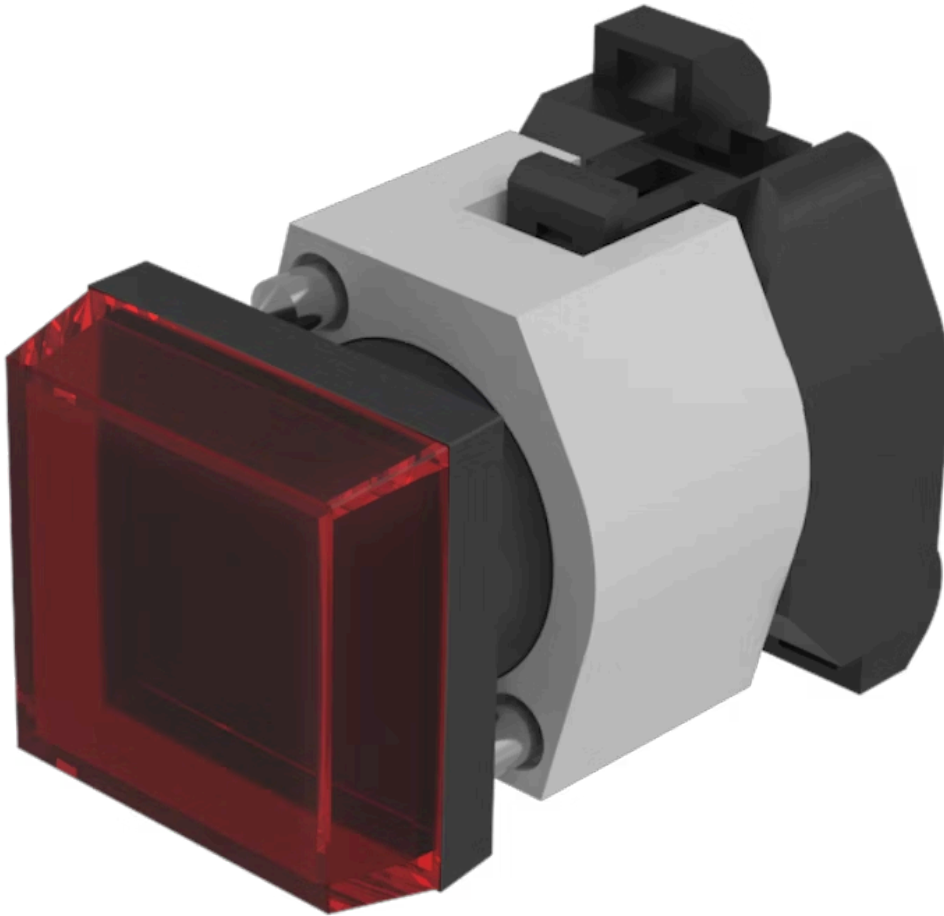


# Actuator

704.199.2

Distribution by  
DigiKey

**DigiKey**



<https://digikey.eao.com/p/704.199.2>

Your product:

---



## 704.199.2 Actuator

### FRONT

<b>Front dimension:</b>	30 mm x 30 mm
<b>Front form:</b>	Square
<b>Front bezel colour:</b>	Black
<b>Front bezel material:</b>	Plastic

### MOUNTING

<b>Design:</b>	Raised
<b>Mounting type:</b>	Panel mounting

### OPERATING-/INDICATION PART

<b>Lens cap colour:</b>	Red
<b>Lens cap material:</b>	Plastic
<b>Lens cap optical effect:</b>	transparent
<b>Marking cap colour:</b>	White
<b>Marking cap optics:</b>	translucent

### ELECTRICAL CHARACTERISTICS

<b>Switching rating:</b>	
<b>Standards:</b>	The switches comply with the "Standards for low-voltage switching devices" DIN EN 60947-1

### MECHANICAL CHARACTERISTIC

<b>Terminal:</b>	Screw terminal
------------------	----------------

**Weight:** 0.05 kg

### AMBIENT CONDITION

**IP Protection:** IP65 front side

**Operating temperature:** - 40 °C ... + 55 °C

**Storage temperature:** - 40 °C ... + 85 °C

### CERTIFICATE

**REACH:** REACH compliant

**RoHS:** RoHS compliant

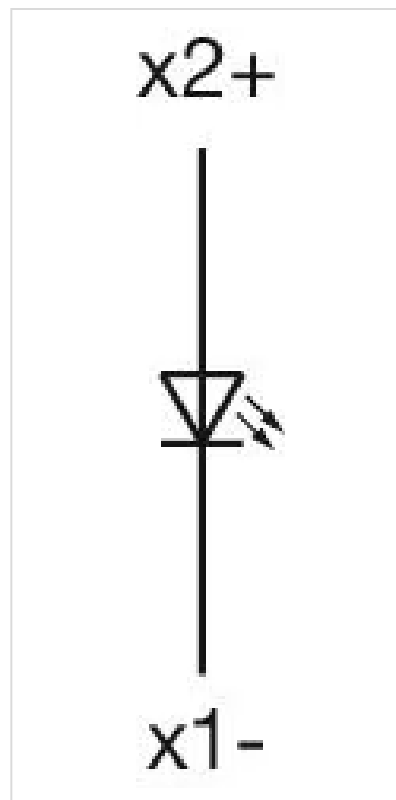
### OTHER

**Short Description:** Actuator, 30 mm x 30 mm, Square, Black, Plastic, Screw terminal

**Housing colour:** Grey

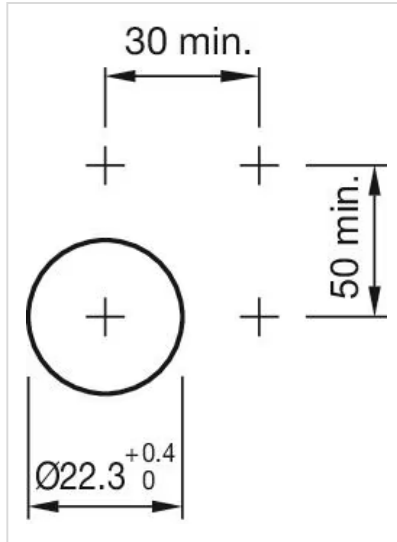
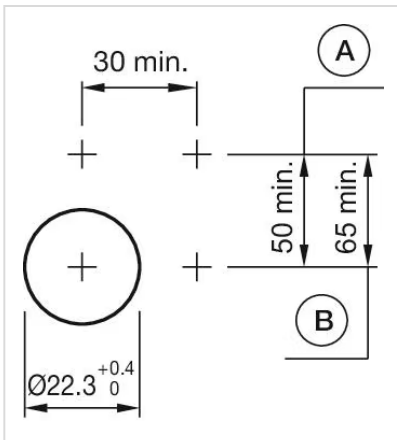
**Housing material:** Plastic

**Wiring diagrams:**

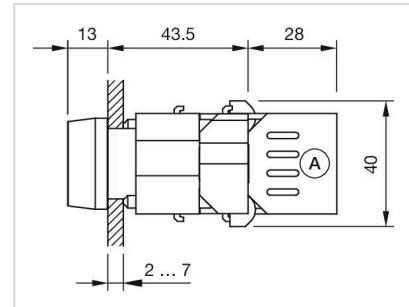
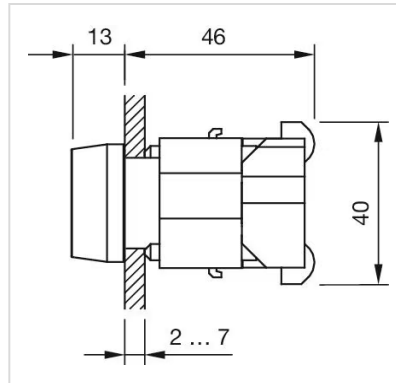


**Mounting cut-outs:**

A = Screw terminal  
 B = Push-in terminal (PIT)



**Dimension drawings:**



A = Screw terminal