

Actuator

704.099.0x28

Distribution by
DigiKey

DigiKey



[https://digikey.eao.com/component/704.099.0x28...](https://digikey.eao.com/component/704.099.0x28)

Your product:



704.099.0x28 Actuator

Loading ...

FRONT

Front dimension:	Ø 38 mm
Front form:	Round
Front bezel colour:	Nature
Front bezel material:	Stainless steel

MOUNTING

Design:	Flush
Mounting cut-out:	Ø 30.5 mm
Mounting type:	Panel mounting

ELECTRICAL CHARACTERISTICS

Standards:	The switches comply with the "Standards for low-voltage switching devices" DIN EN 60947-1
-------------------	---

MECHANICAL CHARACTERISTICS

Switching action:	Momentary - Rest - Maintained
Switching positions:	3 positions
Switching angle:	45° left / 45° right
Mechanical lifetime:	≤250 000 cycles of operation
Weight:	0.13 kg

AMBIENT CONDITION

IP Protection:	IP67 front side
-----------------------	-----------------

Operating temperature: - 40 °C ... + 55 °C

Storage temperature: - 40 °C ... + 85 °C

CERTIFICATE

REACH: REACH compliant

RoHS: RoHS compliant

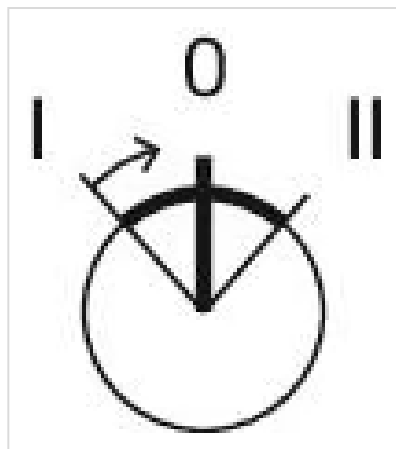
OTHER

Short Description: Actuator, Ø 30.5 mm, Ø 38 mm, Round, Nature, Stainless steel, Momentary - Rest - Maintained

Hints: In the Part-No. "x" stands for not defined actuator
Max. 1 switching element can be clipped on

max. number of switching elements: 3

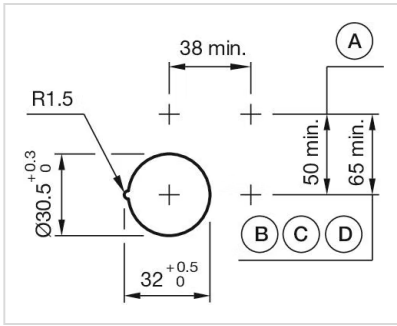
Switching positions:



Wiring diagrams:

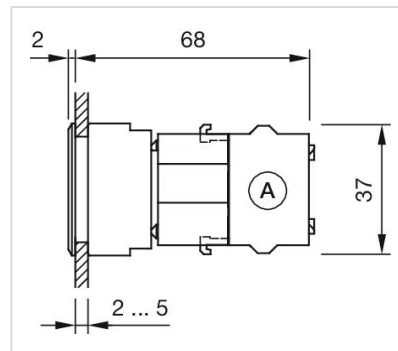


Mounting cut-outs:



- A = Screw terminal
- B = Push-in terminal (PIT)
- C = Plug-in terminal 6.3 mm x 0.8 mm
- D = Double plug-in terminal 6.3 mm x 0.8 mm

Dimension drawings:



A = Screw terminal