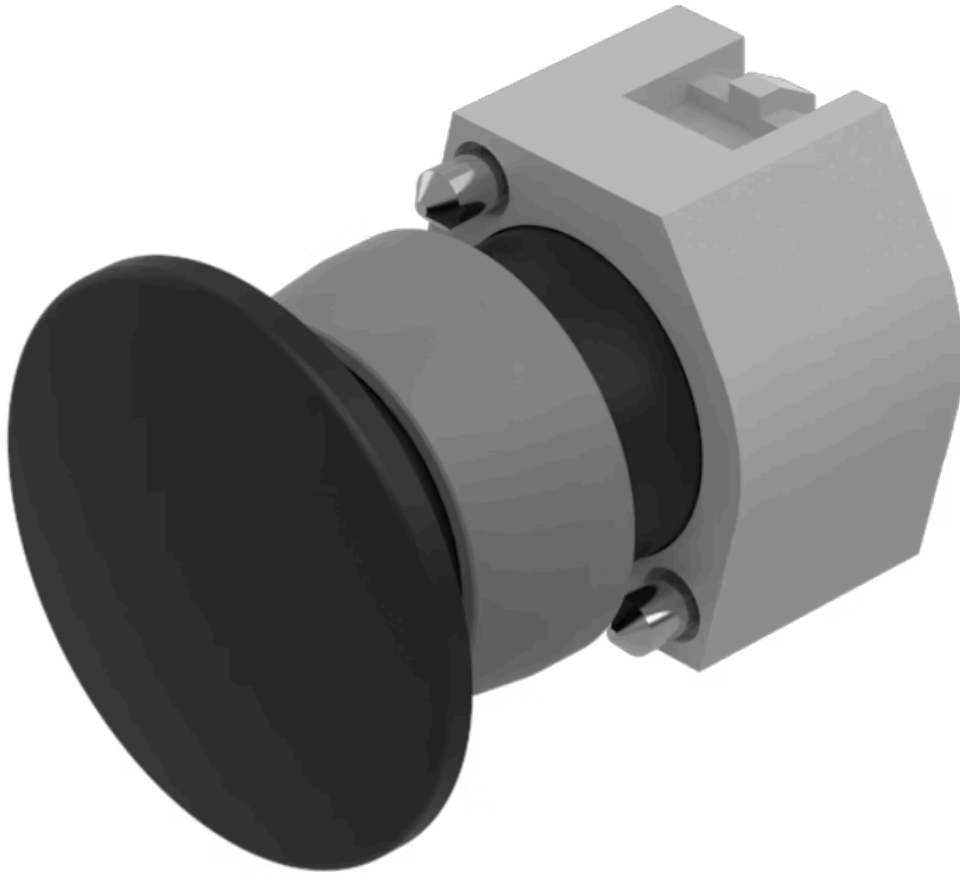


# Actuator

704.073.0

Distribution by  
DigiKey

**DigiKey**



<https://digkey.eao.com/component/704.073.0/e...>

Your product:

---



## 704.073.0 Actuator

*Loading ...*

### FRONT

|                              |                      |
|------------------------------|----------------------|
| <b>Front dimension:</b>      | Ø 40 mm              |
| <b>Front form:</b>           | Round                |
| <b>Front bezel colour:</b>   | Nature               |
| <b>Front bezel material:</b> | Aluminium            |
| <b>Front bezel shape:</b>    | With protective hood |

### MOUNTING

|                       |                |
|-----------------------|----------------|
| <b>Design:</b>        | Raised         |
| <b>Mounting type:</b> | Panel mounting |

### OPERATING-/INDICATION PART

|                           |                 |
|---------------------------|-----------------|
| <b>Lens colour:</b>       | Black           |
| <b>Lens material:</b>     | Plastic         |
| <b>Lens illumination:</b> | Non illuminated |
| <b>Lens shape:</b>        | Mushroom-head   |
| <b>Lens optics:</b>       | opaque          |

### MECHANICAL CHARACTERISTICS

|                             |                             |
|-----------------------------|-----------------------------|
| <b>Switching action:</b>    | Maintained                  |
| <b>Mechanical lifetime:</b> | ≤3 Mil. cycles of operation |
| <b>Weight:</b>              | 0.028 kg                    |

**CERTIFICATE**

**REACH:** REACH compliant  
**RoHS:** RoHS compliant

**OTHER**

**Short Description:** Actuator, Ø 40 mm, Mushroom-head, Non illuminated, Black, Plastic, opaque, Round, With protective hood, Nature, Aluminium, anodised, Maintained

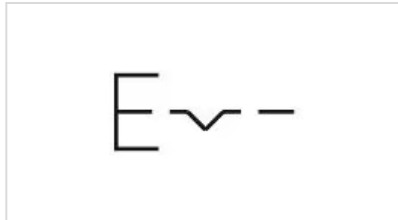
**Housing colour:** Grey

**Housing material:** Plastic

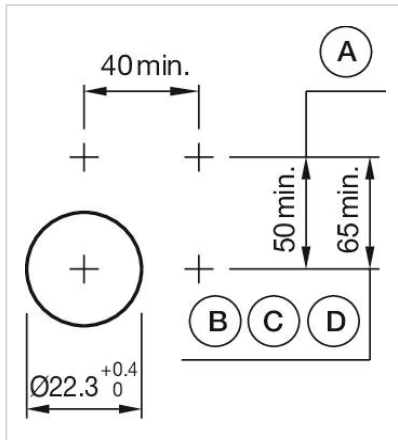
**Hints:** Max. 3 switching elements can be clipped on

**max. number of switching elements:** 3

**Wiring diagrams:**



**Mounting cut-outs:**



- A = Screw terminal
- B = Push-in terminal (PIT)
- C = Plug-in terminal 6.3 mm x 0.8 mm
- D = Double plug-in terminal 6.3 mm x 0.8 mm

**Dimension drawings:**



A = Screw terminal