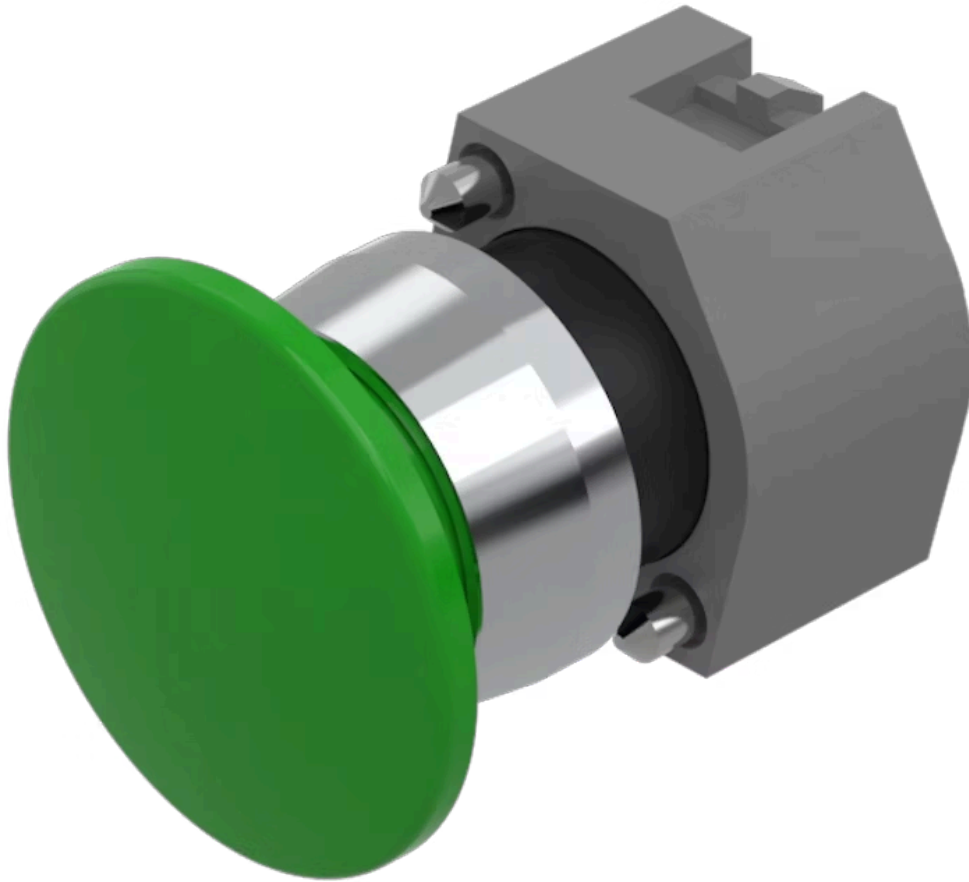


Actuator

704.071.5

Distribution by
DigiKey

DigiKey



<https://digkey.eao.com/component/704.071.5/e...>

Your product:



704.071.5 Actuator

FRONT

Front dimension:	Ø 40 mm
Front form:	Round
Front bezel colour:	Nature
Front bezel material:	Aluminium
Front bezel shape:	With protective hood

MOUNTING

Design:	Raised
Mounting type:	Panel mounting

OPERATING-/INDICATION PART

Lens colour:	Green
Lens material:	Plastic
Lens illumination:	Non illuminated
Lens shape:	Mushroom-head
Lens optics:	opaque

MECHANICAL CHARACTERISTICS

Switching action:	Momentary
Mechanical lifetime:	≤3 Mil. cycles of operation
Weight:	0.028 kg

CERTIFICATE

REACH: REACH compliant

RoHS: RoHS compliant

OTHER

Short Description:

Actuator, Ø 40 mm, Mushroom-head, Non illuminated, Green, Plastic, opaque, Round, With protective hood, Nature, Aluminium, anodised, Momentary

Housing colour:

Grey

Housing material:

Plastic

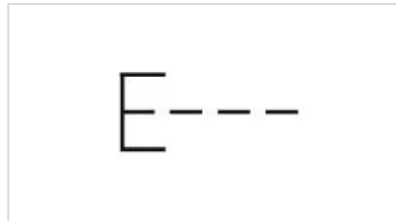
Hints:

Max. 3 switching elements can be clipped on

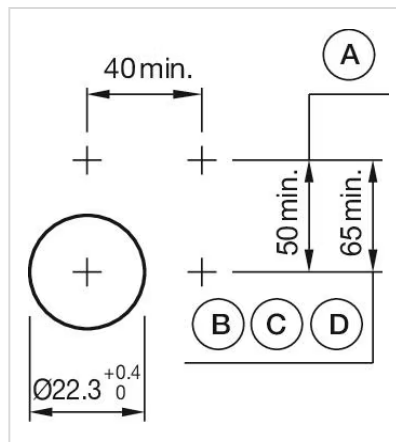
max. number of switching elements:

3

Wiring diagrams:

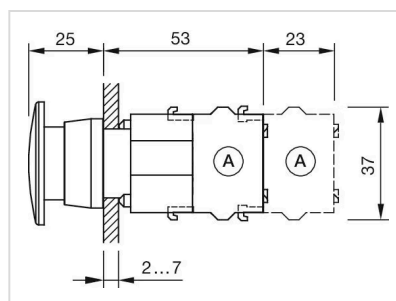


Mounting cut-outs:



A = Screw terminal
B = Push-in terminal (PIT)
C = Plug-in terminal 6.3 mm x 0.8 mm
D = Double plug-in terminal 6.3 mm x 0.8 mm

Dimension drawings:



A = Screw terminal