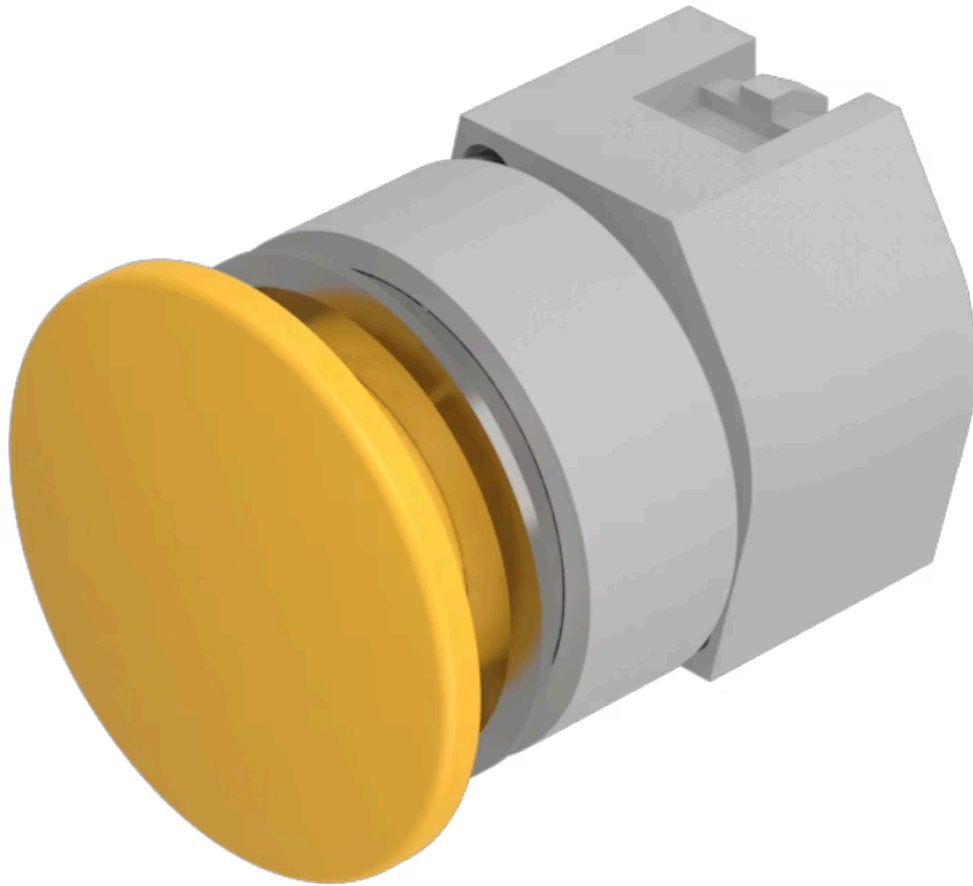


# Actuator

704.071.418

Distribution by  
DigiKey

**DigiKey**



<https://digikey.eao.com/component/704.071.418...>

Your product:

---



## 704.071.418 Actuator

*Loading ...*

### FRONT

|                              |           |
|------------------------------|-----------|
| <b>Front dimension:</b>      | Ø 40 mm   |
| <b>Front form:</b>           | Round     |
| <b>Front bezel colour:</b>   | Nature    |
| <b>Front bezel material:</b> | Aluminium |

### MOUNTING

|                          |                |
|--------------------------|----------------|
| <b>Design:</b>           | Flush          |
| <b>Mounting cut-out:</b> | Ø 30.5 mm      |
| <b>Mounting type:</b>    | Panel mounting |

### OPERATING-/INDICATION PART

|                           |                 |
|---------------------------|-----------------|
| <b>Lens colour:</b>       | Yellow          |
| <b>Lens material:</b>     | Plastic         |
| <b>Lens illumination:</b> | Non illuminated |
| <b>Lens shape:</b>        | Mushroom-head   |
| <b>Lens optics:</b>       | opaque          |

### ELECTRICAL CHARACTERISTICS

|                   |   |
|-------------------|---|
| <b>Standards:</b> | The switches comply with the "Standards for low-voltage switching devices" DIN EN 60947-1 |
|-------------------|---|

### MECHANICAL CHARACTERISTICS

|                          |           |
|--------------------------|-----------|
| <b>Switching action:</b> | Momentary |
|--------------------------|-----------|

|                             |                             |
|-----------------------------|-----------------------------|
| <b>Mechanical lifetime:</b> | ≤3 Mil. cycles of operation |
| <b>Operating force:</b>     | 6.2 N                       |
| <b>Operating Travel:</b>    | ca. 5.8 mm ± 0.2 mm         |
| <b>Weight:</b>              | 0.038 kg                    |

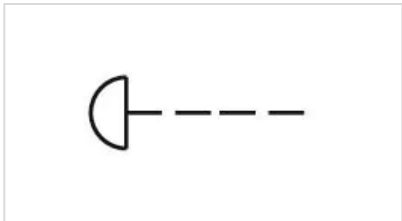
### AMBIENT CONDITION

|                               |                     |
|-------------------------------|---------------------|
| <b>IP Protection:</b>         | IP65 front side     |
| <b>Operating temperature:</b> | - 40 °C ... + 55 °C |
| <b>Storage temperature:</b>   | - 40 °C ... + 85 °C |

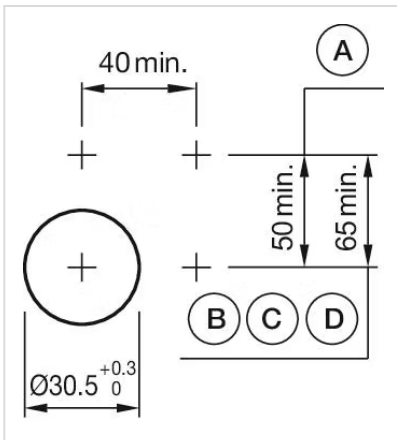
### CERTIFICATE

|               |                 |
|---------------|-----------------|
| <b>REACH:</b> | REACH compliant |
| <b>RoHS:</b>  | RoHS compliant  |

### OTHER

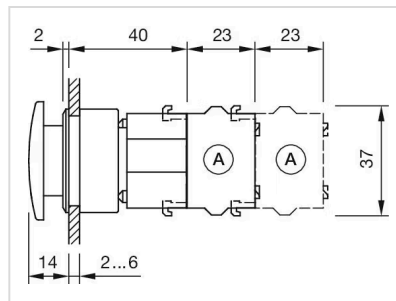
|   |  |
|---|--|
| <b>Short Description:</b>                 | Actuator, Ø 30.5 mm, Ø 40 mm, Mushroom-head, Non illuminated, Yellow, Plastic, opaque, Round, Nature, Aluminium, anodised, Momentary |
| <b>Housing colour:</b>                    | Grey   |
| <b>Housing material:</b>                  | Plastic  |
| <b>Hints:</b>                             | Max. 3 switching elements can be clipped on<br>The colour of anodised aluminium parts can vary due to technical production reasons   |
| <b>max. number of switching elements:</b> | 3  |
| <b>Wiring diagrams:</b>                   |    |

**Mounting cut-outs:**



- A = Screw terminal
- B = Push-in terminal (PIT)
- C = Plug-in terminal 6.3 mm x 0.8 mm
- D = Double plug-in terminal 6.3 mm x 0.8 mm

**Dimension drawings:**



- A = Screw terminal