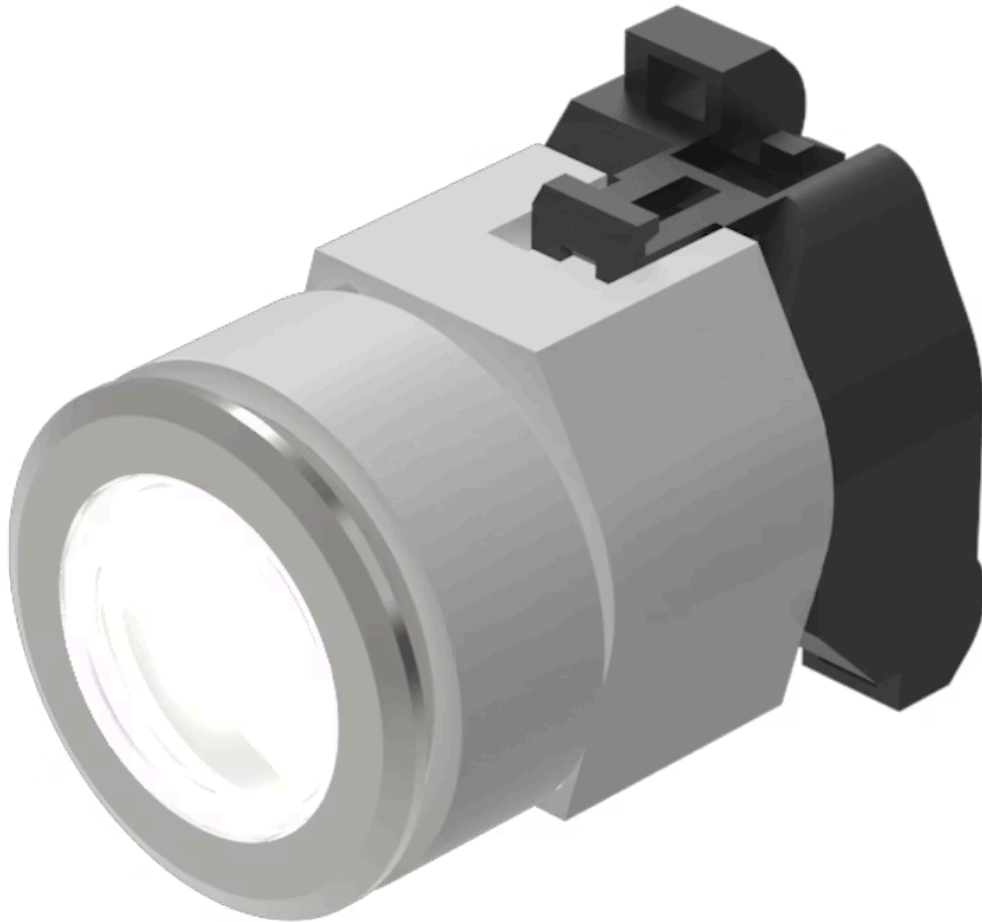


Actuator

704.062.718

Distribution by
DigiKey

DigiKey



<https://digikey.eao.com/component/704.062.718...>

Your product:



704.062.718 Actuator

Loading ...

FRONT

Front dimension:	Ø 35 mm
Front form:	Round
Front bezel colour:	Nature
Front bezel material:	Aluminium

MOUNTING

Design:	Flush
Mounting cut-out:	Ø 30.5 mm
Mounting type:	Panel mounting

OPERATING-/INDICATION PART

Lens colour:	Colourless
Lens material:	Plastic
Lens illumination:	Illuminated
Lens shape:	Flush
Lens optics:	transparent

ELECTRICAL CHARACTERISTICS

Standards:	The switches comply with the "Standards for low-voltage switching devices" DIN EN 60947-1
-------------------	---

MECHANICAL CHARACTERISTICS

Switching action:	Maintained
--------------------------	------------

Mechanical lifetime: ≤3 Mil. cycles of operation
Operating force: 8 N
Operating Travel: ca. 5.8 mm ± 0.2 mm
Weight: 0.046 kg

AMBIENT CONDITION

IP Protection: IP65 front side
Operating temperature: – 40 °C ... + 55 °C
Storage temperature: – 40 °C ... + 85 °C

CERTIFICATE

REACH: REACH compliant
RoHS: RoHS compliant

OTHER

Short Description: Actuator, Ø 30.5 mm, Ø 35 mm, Flush, Illuminated, Colourless, Plastic, transparent, Round, Nature, Aluminium, anodised, Maintained

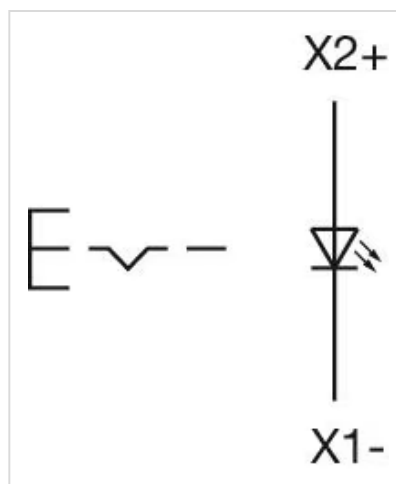
Housing colour: Grey

Housing material: Plastic

Hints: Max. 3 switching elements can be clipped on
The lamp block will be delivered with screw terminal
The colour of anodised aluminium parts can vary due to technical production reasons

max. number of switching elements: 3

Wiring diagrams:

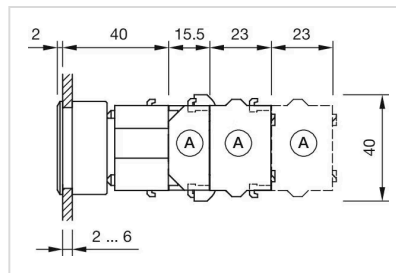


Mounting cut-outs:



- A = Screw terminal
- B = Push-in terminal (PIT)
- C = Plug-in terminal 6.3 mm x 0.8 mm
- D = Double plug-in terminal 6.3 mm x 0.8 mm

Dimension drawings:



- A = Screw terminal