

Actuator

704.022.7

Distribution by
DigiKey

DigiKey



<https://digikey.eao.com/p/704.022.7>

Your product:



704.022.7 Actuator

FRONT

Front dimension: Ø 29 mm

Front form: round

MOUNTING

Design: raised

OPERATING-/INDICATION PART

Lens cap material: Plastic

Marking cap colour: White

Lens cap colour: Colourless

Marking cap optics: translucent

Lens cap optical effect: translucent

ELECTRICAL CHARACTERISTICS

Standards: The switches comply with the "Standards for low-voltage switching devices" DIN EN 60947-1

MECHANICAL CHARACTERISTIC

Weight: 0.025 kg

Terminal: Screw terminal

AMBIENT CONDITION

Storage temperature: - 40 °C ... + 85 °C

IP Protection: IP65 front side

Operating temperature: - 40 °C ... + 55 °C

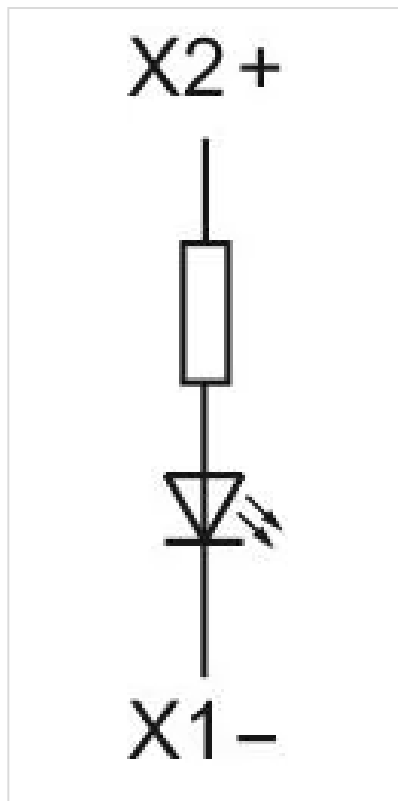
OTHER

Short Description: Actuator, Ø 29 mm, round, Screw terminal

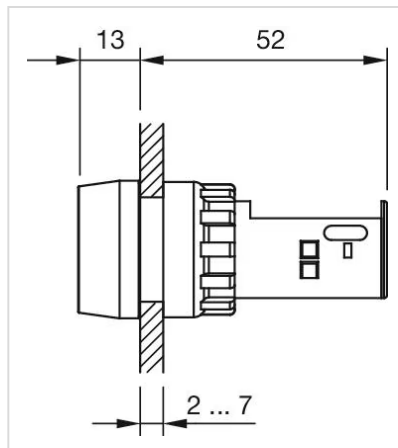
Housing material: Plastic

Housing colour: Grey

Wiring diagrams:



Dimension drawings:



Mounting cut-outs:

