

Actuator

704.022.2

Distribution by
DigiKey

DigiKey



<https://digikey.eao.com/p/704.022.2>

Your product:



704.022.2 Actuator

FRONT

Front dimension: Ø 29 mm

Front form: round

MOUNTING

Design: raised

OPERATING-/INDICATION PART

Lens cap material: Plastic

Lens cap optical effect: translucent

Marking cap optics: translucent

Lens cap colour: Red

Marking cap colour: White

ELECTRICAL CHARACTERISTICS

Standards: The switches comply with the "Standards for low-voltage switching devices" DIN EN 60947-1

MECHANICAL CHARACTERISTIC

Weight: 0.025 kg

Terminal: Screw terminal

AMBIENT CONDITION

Storage temperature: - 40 °C ... + 85 °C

Operating temperature: - 40 °C ... + 55 °C

IP Protection: IP65 front side

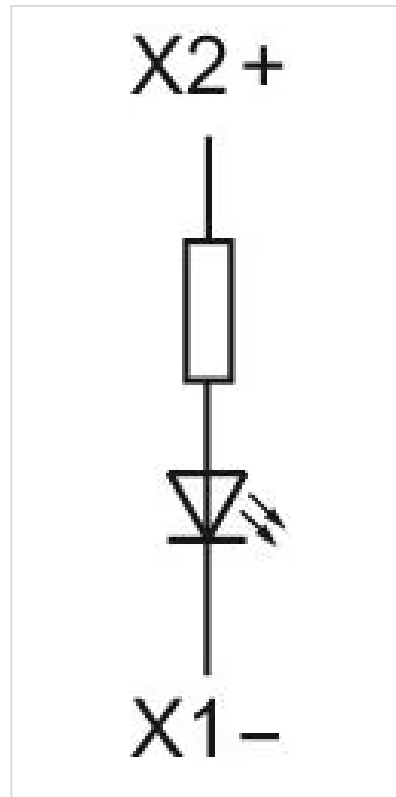
OTHER

Housing material: Plastic

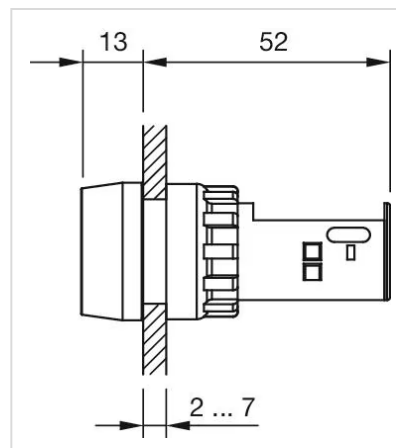
Short Description: Actuator, Ø 29 mm, round, Screw terminal

Housing colour: Grey

Wiring diagrams:



Dimension drawings:



Mounting cut-outs:

