

Actuator

704.020.6

Distribution by
DigiKey

DigiKey



<https://digikey.eao.com/p/704.020.6>

Your product:



704.020.6 Actuator

FRONT

Front form:	round
Front dimension:	Ø 29 mm

MOUNTING

Design:	raised
----------------	--------

OPERATING-/INDICATION PART

Lens cap material:	Plastic
Marking cap colour:	White
Lens cap optical effect:	translucent
Marking cap optics:	translucent
Lens cap colour:	Blue

ELECTRICAL CHARACTERISTICS

Standards:	The switches comply with the "Standards for low-voltage switching devices" DIN EN 60947-1
-------------------	---

MECHANICAL CHARACTERISTIC

Weight:	0.02 kg
Terminal:	Screw terminal

AMBIENT CONDITION

IP Protection:	IP65 front side
-----------------------	-----------------

Operating temperature: - 40 °C ... + 55 °C

Storage temperature: - 40 °C ... + 85 °C

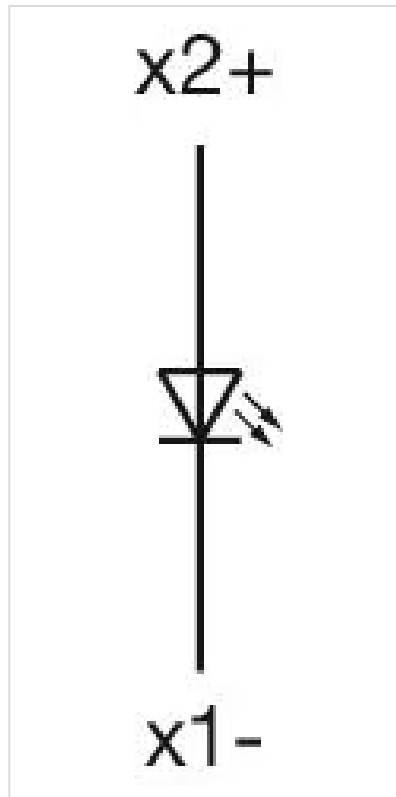
OTHER

Housing material: Plastic

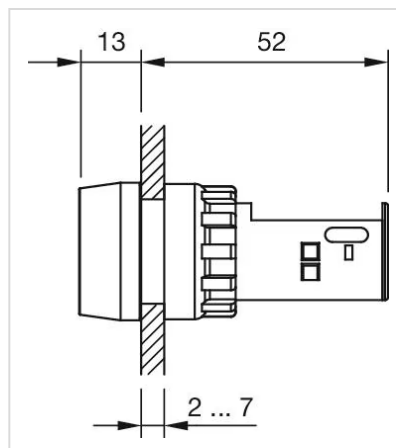
Short Description: Actuator, Ø 29 mm, round, Screw terminal

Housing colour: Grey

Wiring diagrams:



Dimension drawings:



Mounting cut-outs:

