

Actuator

704.020.4

Distribution by
DigiKey

DigiKey



<https://digikey.eao.com/p/704.020.4>

Your product:



704.020.4 Actuator

FRONT

Front form:	round
Front dimension:	Ø 29 mm

MOUNTING

Design:	raised
----------------	--------

OPERATING-/INDICATION PART

Lens cap colour:	Yellow
Lens cap material:	Plastic
Marking cap optics:	translucent
Marking cap colour:	White
Lens cap optical effect:	translucent

ELECTRICAL CHARACTERISTICS

Standards:	The switches comply with the "Standards for low-voltage switching devices" DIN EN 60947-1
-------------------	---

MECHANICAL CHARACTERISTIC

Terminal:	Screw terminal
Weight:	0.02 kg

AMBIENT CONDITION

Operating temperature:	- 40 °C ... + 55 °C
-------------------------------	---------------------

IP Protection: IP65 front side
Storage temperature: - 40 °C ... + 85 °C

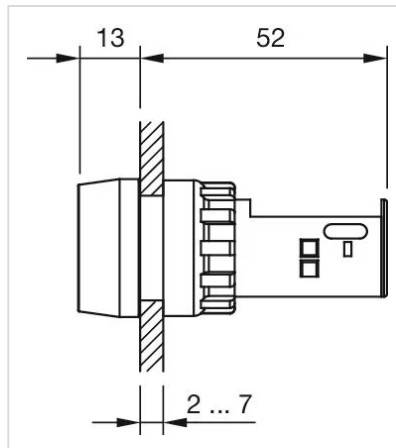
OTHER

Housing colour: Grey

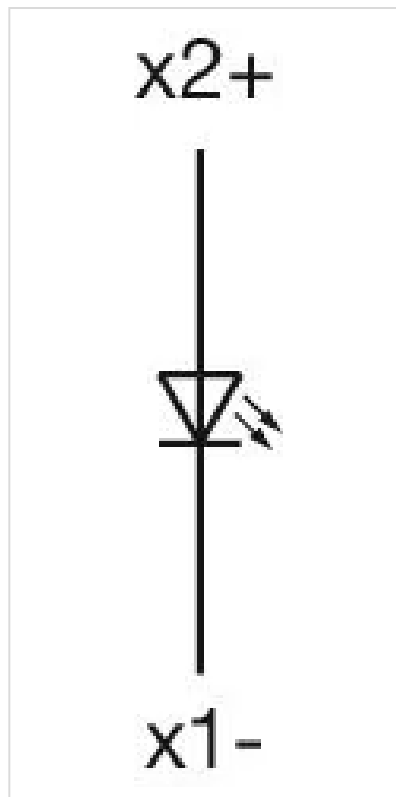
Housing material: Plastic

Short Description: Actuator, Ø 29 mm, round, Screw terminal

Dimension drawings:



Wiring diagrams:



Mounting cut-outs:

