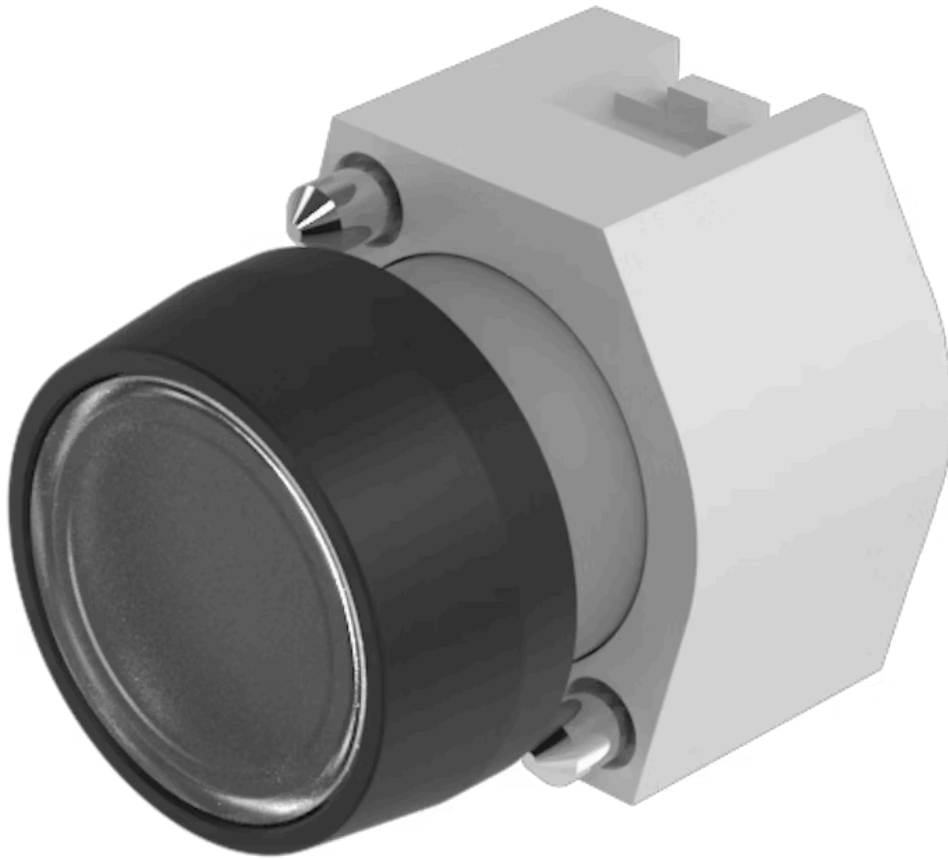


# Actuator

704.009.7

Distribution by  
DigiKey

**DigiKey**



<https://digikey.eao.com/p/704.009.7>

Your product:

---



## 704.009.7 Actuator

### FRONT

<b>Front dimension:</b>	Ø 29 mm
<b>Front form:</b>	round
<b>Front bezel material:</b>	Plastic
<b>Front bezel colour:</b>	Black

### MOUNTING

<b>Design:</b>	raised
----------------	--------

### OPERATING-/INDICATION PART

<b>Lens shape:</b>	flush
<b>Lens illumination:</b>	non illuminative
<b>Lens material:</b>	Plastic
<b>Lens optics:</b>	transparent
<b>Lens colour:</b>	Colourless

### ELECTRICAL CHARACTERISTICS

<b>Standards:</b>	The switches comply with the "Standards for low-voltage switching devices" DIN EN 60947-1
-------------------	---

### MECHANICAL CHARACTERISTIC

<b>Weight:</b>	0.04 kg
<b>Operating Travel:</b>	ca. 5.8 mm ± 0.2 mm
<b>Operating force:</b>	8 N

**Switching action:** Momentary  
**Mechanical lifetime:** ≤3 Mio. cycles of operation

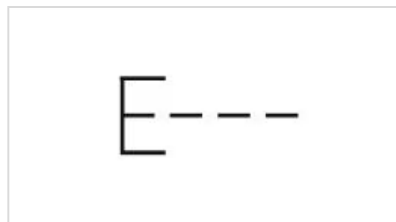
**AMBIENT CONDITION**

**Operating temperature:** - 40 °C ... + 55 °C  
**Storage temperature:** - 40 °C ... + 85 °C  
**IP Protection:** IP65 front side

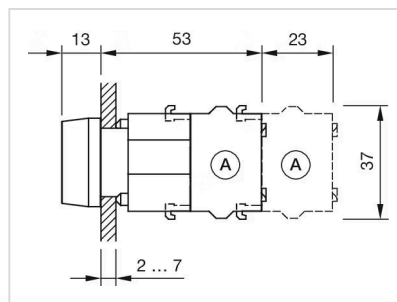
**OTHER**

**max. number of switching elements:** 3  
**Housing colour:** Grey  
**Housing material:** Plastic  
**Hints:** Frontring with protective cover to be mounted with a torque of 0.4 Nm onto actuator, Max. 3 switching elements can be clipped on  
**Short Description:** Actuator, Ø 29 mm, flush, non illuminative, Colourless, Plastic, transparent, round, Black, Plastic, Momentary

**Wiring diagrams:**



**Dimension drawings:**



A = Screw terminal

**Mounting cut-outs:**



- A = Screw terminal
- B = Push-in terminal (PIT)
- C = Plug-in terminal 6.3 mm x 0.8 mm
- D = Double plug-in terminal 6.