

Actuator

704.002.4

Distribution by
DigiKey

DigiKey



<https://digkey.eao.com/component/704.002.4/e...>

Your product:



704.002.4 Actuator

Loading ...

FRONT

| | |
|------------------------------|---------|
| Front dimension: | Ø 29 mm |
| Front form: | Round |
| Front bezel colour: | Grey |
| Front bezel material: | Plastic |

MOUNTING

| | |
|-----------------------|----------------|
| Design: | Raised |
| Mounting type: | Panel mounting |

OPERATING-/INDICATION PART

| | |
|------------------------------------|--------------|
| Lens colour: | Yellow |
| Lens material: | Plastic |
| Lens shape: | Flush |
| Lens optics: | transparent |
| Marking plate colour: | White |
| Marking plate optics: | translucent |
| Marking plate illumination: | illuminative |

ELECTRICAL CHARACTERISTICS

| | |
|-------------------|---|
| Standards: | The switches comply with the "Standards for low-voltage switching devices" DIN EN 60947-1 |
|-------------------|---|

MECHANICAL CHARACTERISTICS

Terminal: Screw terminal

Weight: 0.037 kg

AMBIENT CONDITION

IP Protection: IP65 front side

Operating temperature: - 40 °C ... + 55 °C

Storage temperature: - 40 °C ... + 85 °C

CERTIFICATE

REACH: REACH compliant

RoHS: RoHS compliant

OTHER

Short Description: Actuator, Ø 29 mm, Flush, Yellow, Plastic, transparent, Round, Grey, Plastic, Screw terminal

Housing colour: Grey

Housing material: Plastic

Hints: Filament lamp or LED

Wiring diagrams:

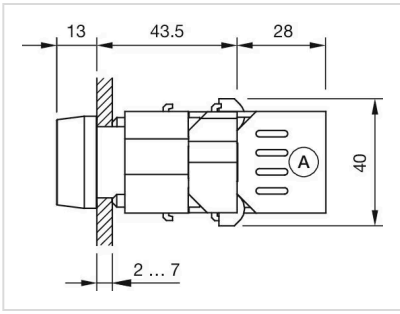


Mounting cut-outs:



A = Screw terminal
 B = Push-in terminal (PIT)

Dimension drawings:



A = Screw terminal

