

Actuator

704.001.6

Distribution by
DigiKey

DigiKey



<https://digikey.eao.com/p/704.001.6>

Your product:



704.001.6 Actuator

FRONT

Front dimension: Ø 29 mm

Front form: round

MOUNTING

Design: raised

OPERATING-/INDICATION PART

Lens cap optical effect: transparent

Marking cap colour: Colourless

Marking cap surface: ribbed

Marking cap optics: transparent

Lens cap material: Plastic

Lens cap colour: Blue

ELECTRICAL CHARACTERISTICS

Standards: The switches comply with the "Standards for low-voltage switching devices" DIN EN 60947-1

MECHANICAL CHARACTERISTIC

Terminal: Screw terminal

Weight: 0.05 kg

AMBIENT CONDITION

Storage temperature: - 40 °C ... + 85 °C

Operating temperature: - 40 °C ... + 55 °C

IP Protection: IP65 front side

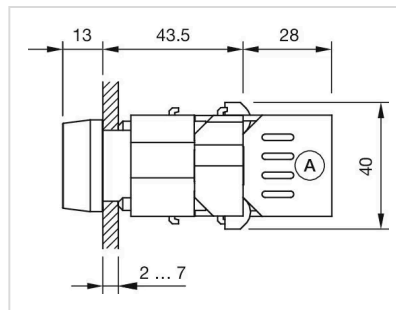
OTHER

Housing colour: Grey

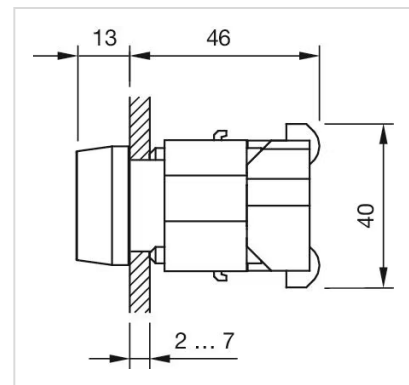
Short Description: Actuator, Ø 29 mm, round, Screw terminal

Housing material: Plastic

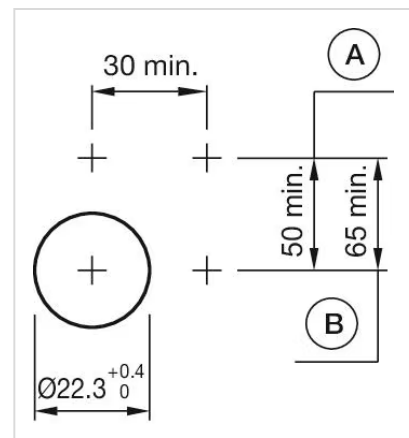
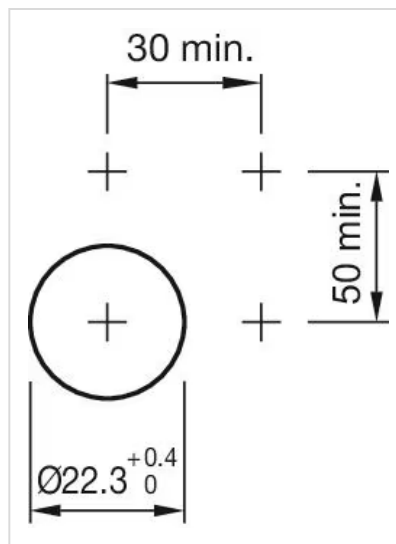
Dimension drawings:



A = Screw terminal



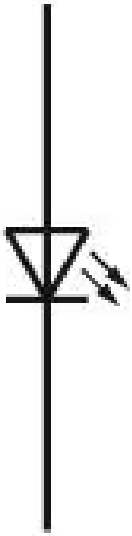
Mounting cut-outs:



A = Screw terminal
B = Push-in terminal (PIT)

Wiring diagrams:

x_2+



x_1-