

# Actuator

704.001.4

Distribution by  
DigiKey

**DigiKey**



<https://digikey.eao.com/p/704.001.4>

Your product:

---



## 704.001.4 Actuator

### FRONT

**Front dimension:** Ø 29 mm

**Front form:** round

### MOUNTING

**Design:** raised

### OPERATING-/INDICATION PART

**Lens cap optical effect:** transparent

**Marking cap colour:** Colourless

**Marking cap optics:** transparent

**Lens cap colour:** Yellow

**Lens cap material:** Plastic

**Marking cap surface:** ribbed

### ELECTRICAL CHARACTERISTICS

**Standards:** The switches comply with the "Standards for low-voltage switching devices" DIN EN 60947-1

### MECHANICAL CHARACTERISTIC

**Terminal:** Screw terminal

**Weight:** 0.05 kg

### AMBIENT CONDITION

**Operating temperature:** - 40 °C ... + 55 °C

**Storage temperature:** - 40 °C ... + 85 °C

**IP Protection:** IP65 front side

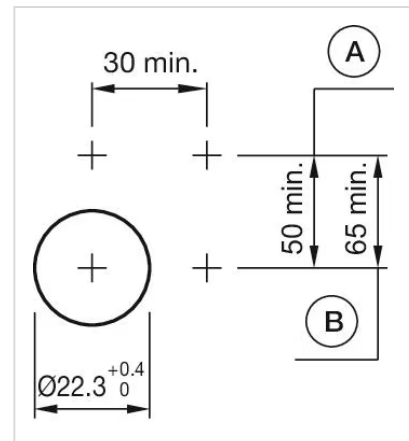
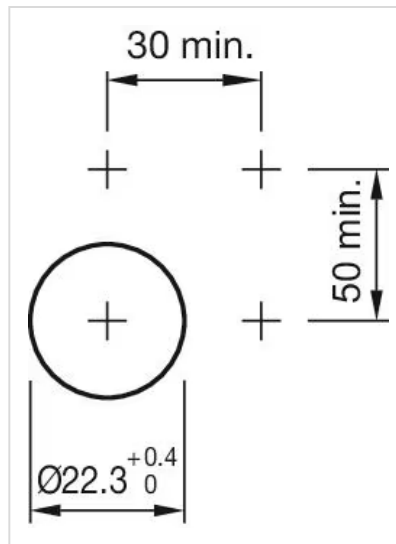
**OTHER**

**Housing material:** Plastic

**Short Description:** Actuator, Ø 29 mm, round, Screw terminal

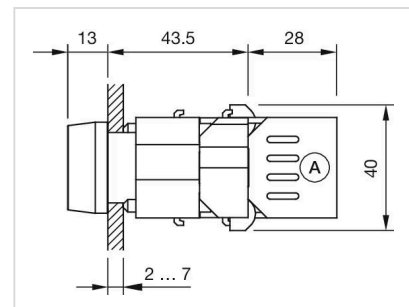
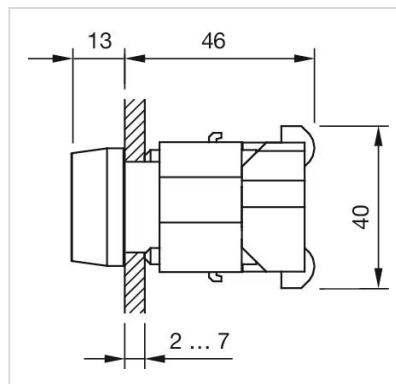
**Housing colour:** Grey

**Mounting cut-outs:**



A = Screw terminal  
B = Push-in terminal (PIT)

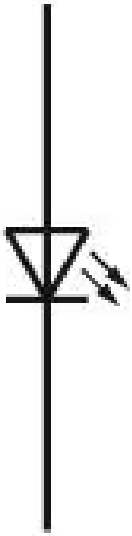
**Dimension drawings:**



A = Screw terminal

**Wiring diagrams:**

$x_2+$



$x_1-$