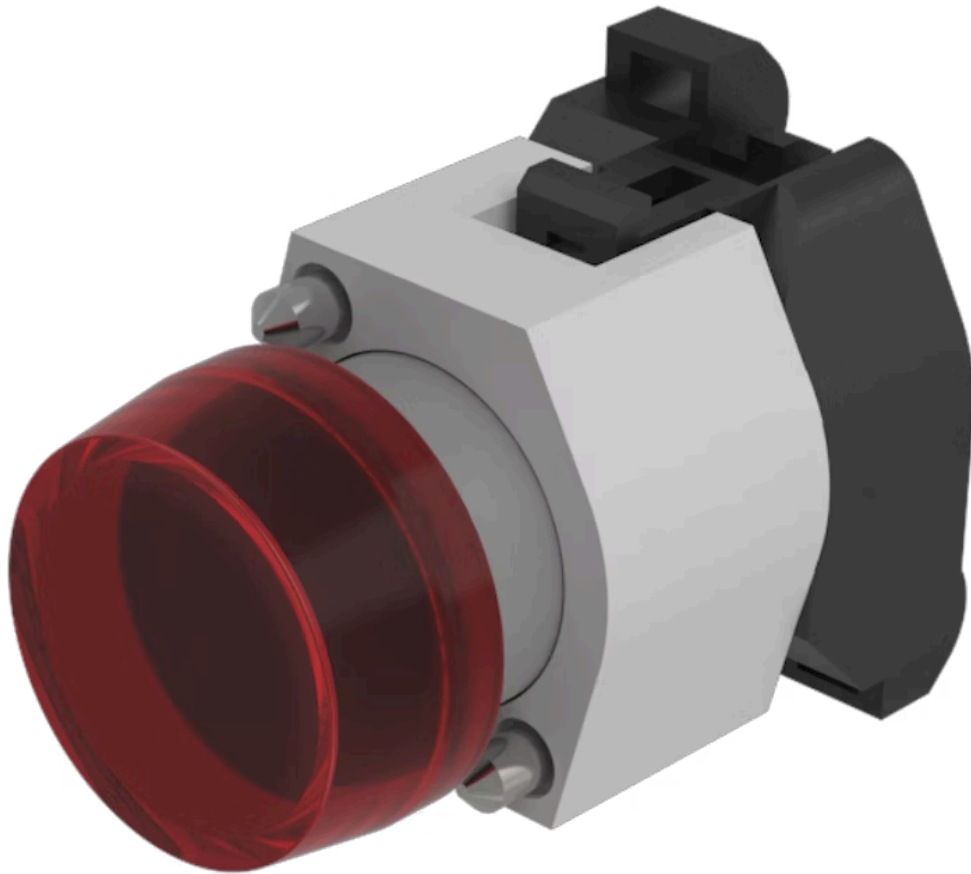


# Actuator

704.001.2

Distribution by  
DigiKey

**DigiKey**



<https://digikey.eao.com/p/704.001.2>

Your product:

---



## 704.001.2 Actuator

### FRONT

<b>Front form:</b>	round
<b>Front dimension:</b>	Ø 29 mm

### MOUNTING

<b>Design:</b>	raised
----------------	--------

### OPERATING-/INDICATION PART

<b>Lens cap optical effect:</b>	transparent
<b>Lens cap material:</b>	Plastic
<b>Marking cap surface:</b>	ribbed
<b>Lens cap colour:</b>	Red
<b>Marking cap colour:</b>	Colourless
<b>Marking cap optics:</b>	translucent

### ELECTRICAL CHARACTERISTICS

<b>Standards:</b>	The switches comply with the "Standards for low-voltage switching devices" DIN EN 60947-1
-------------------	---

### MECHANICAL CHARACTERISTIC

<b>Terminal:</b>	Screw terminal
<b>Weight:</b>	0.05 kg

### AMBIENT CONDITION

**IP Protection:** IP65 front side

**Storage temperature:** - 40 °C ... + 85 °C

**Operating temperature:** - 40 °C ... + 55 °C

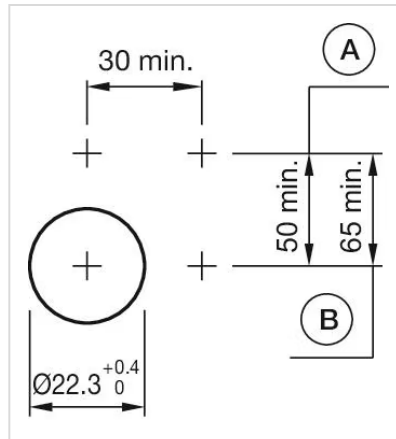
**OTHER**

**Short Description:** Actuator, Ø 29 mm, round, Screw terminal

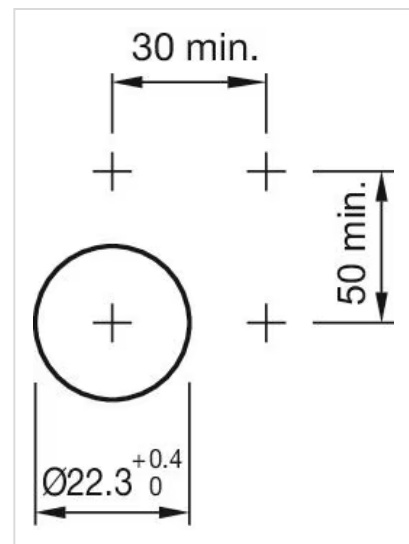
**Housing material:** Plastic

**Housing colour:** Grey

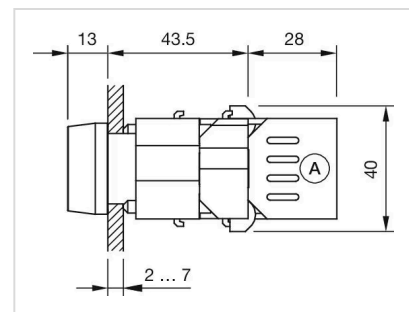
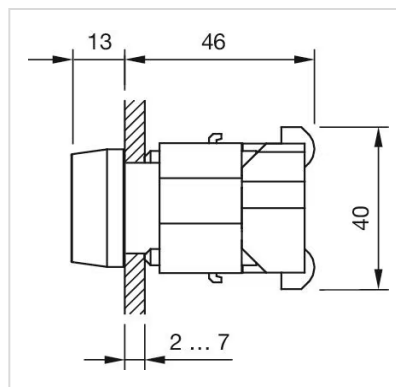
**Mounting cut-outs:**



A = Screw terminal  
B = Push-in terminal (PIT)



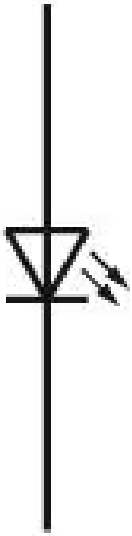
**Dimension drawings:**



A = Screw terminal

**Wiring diagrams:**

$x_2+$



$x_1-$