

Actuator

704.000.6

Distribution by
DigiKey

DigiKey



<https://digikey.eao.com/p/704.000.6>

Your product:



704.000.6 Actuator

FRONT

Front form:	round
Front dimension:	Ø 29 mm

MOUNTING

Design:	raised
----------------	--------

OPERATING-/INDICATION PART

Lens cap material:	Plastic
Lens cap optical effect:	transparent
Marking cap optics:	translucent
Marking cap colour:	White
Lens cap colour:	Blue

ELECTRICAL CHARACTERISTICS

Standards:	The switches comply with the "Standards for low-voltage switching devices" DIN EN 60947-1
-------------------	---

MECHANICAL CHARACTERISTIC

Weight:	0.05 kg
Terminal:	Screw terminal

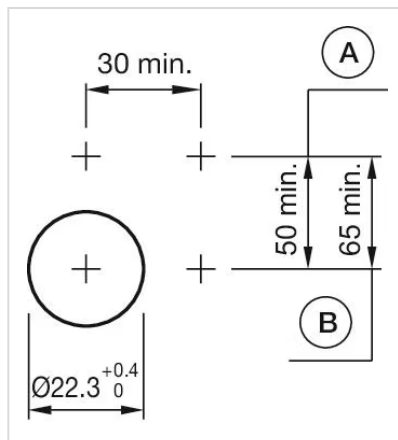
AMBIENT CONDITION

Storage temperature:	- 40 °C ... + 85 °C
-----------------------------	---------------------

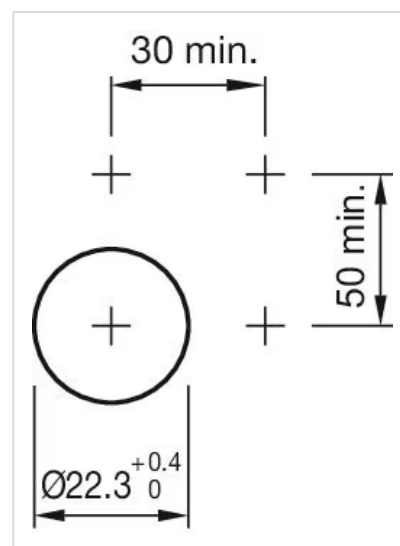
IP Protection: IP65 front side
Operating temperature: - 40 °C ... + 55 °C

OTHER

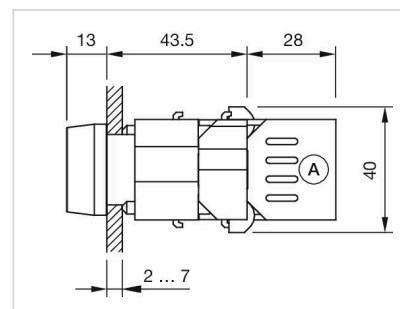
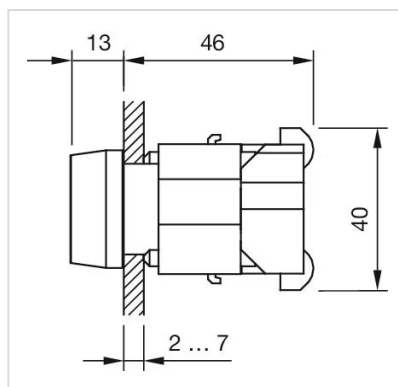
Housing colour: Grey
Short Description: Actuator, Ø 29 mm, round, Screw terminal
Housing material: Plastic
Mounting cut-outs:



A = Screw terminal
 B = Push-in terminal (PIT)



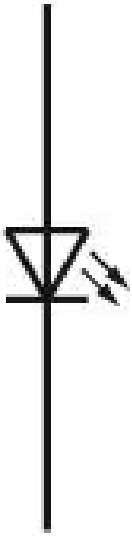
Dimension drawings:



A = Screw terminal

Wiring diagrams:

x_2+



x_1-