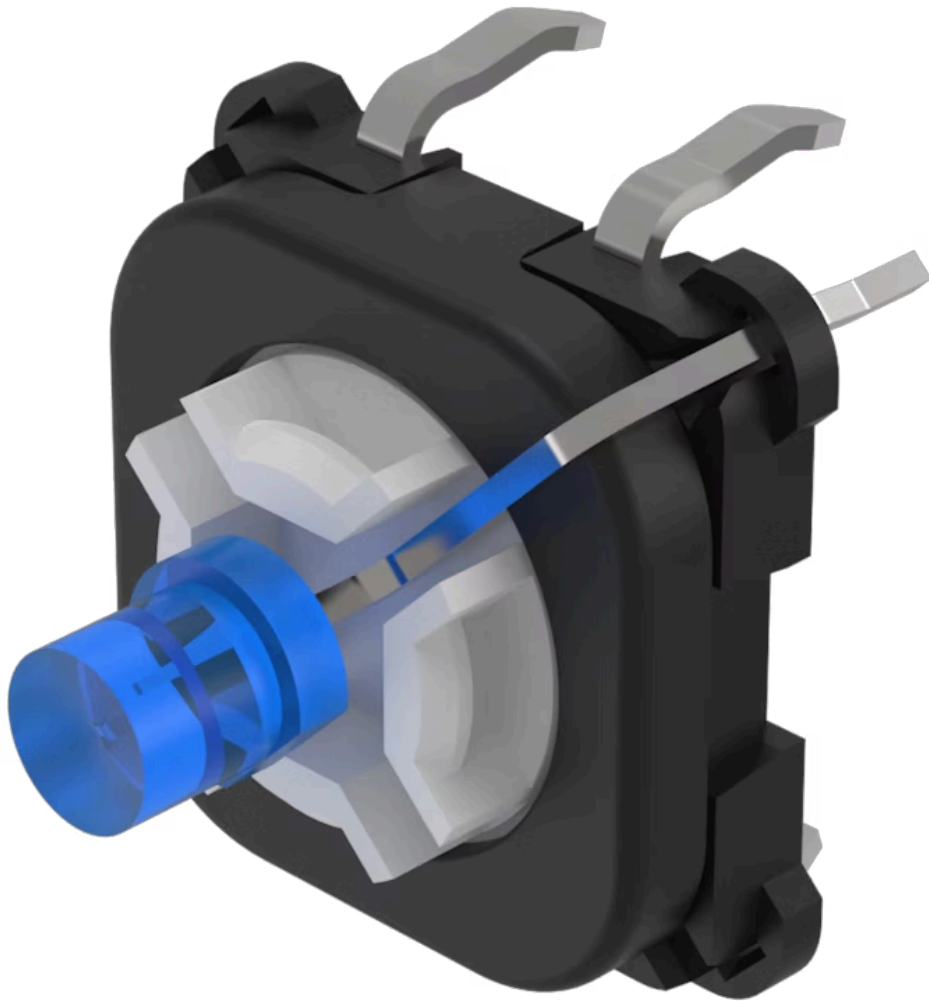


Switching element

70-220.6S

Distribution by
DigiKey

DigiKey



<https://digikey.eao.com/p/70-220.6S>

Your product:



70-220.6S Switching element

OPERATING-/INDICATION PART

Illumination colour: Blue

ELECTRICAL CHARACTERISTICS

Contacts: 1 NO

Lumi. Intensity: 250 mcd

MECHANICAL CHARATERISTIC

Switching action: Momentary

Weight: 0.001 kg

Contact material: Gold

Terminal: PCB terminal

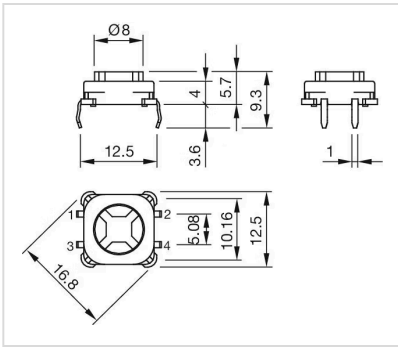
Switching system: Short-travel element

OTHER

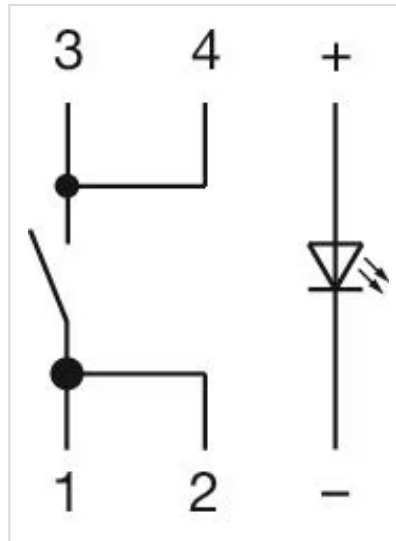
Hints: The customer has to decide what series resistor shall be used to the LED

Short Description: Switching element, Short-travel element, 42 V DC @ 0,1 A, Gold, 1 NO, PCB terminal

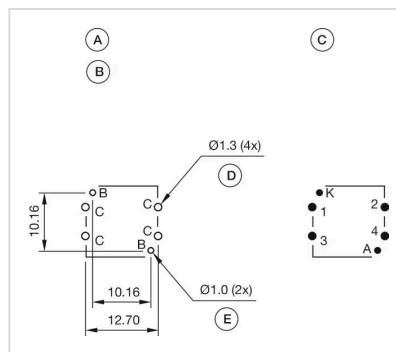
Dimension drawings:



Wiring diagrams:



Component layouts:



- A = Switching element with illumination
- B = Single LED
- C = Drilling plan (component side)
- D = Hole for switching