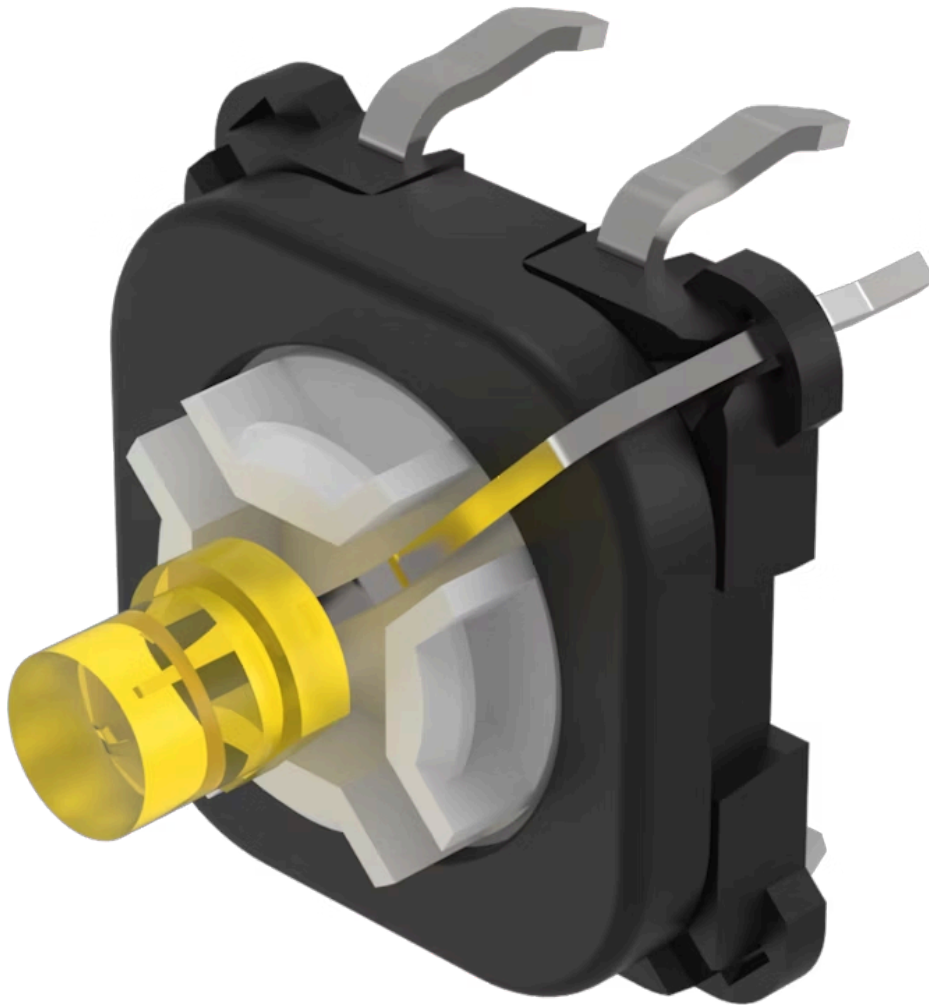


Switching element

70-220.4S

Distribution by
DigiKey

DigiKey



<https://digikey.eao.com/p/70-220.4S>

Your product:



70-220.4S Switching element

OPERATING-/INDICATION PART

Illumination colour: Yellow

ELECTRICAL CHARACTERISTICS

Lumi. Intensity: 600 mcd

Contacts: 1 NO

MECHANICAL CHARATERISTIC

Terminal: PCB terminal

Contact material: Gold

Switching action: Momentary

Switching system: Short-travel element

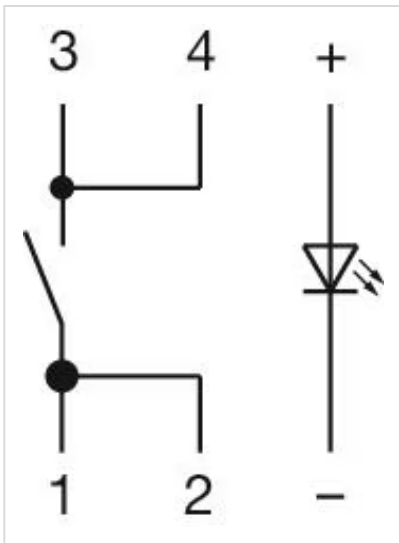
Weight: 0.001 kg

OTHER

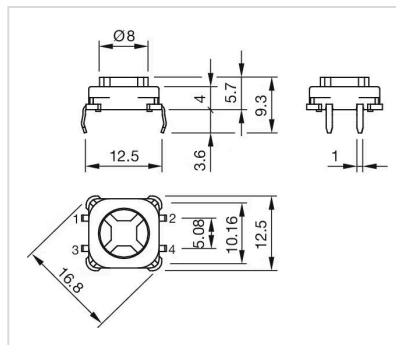
Short Description: Switching element, Short-travel element, 42 V DC @ 0,1 A, Gold, 1 NO, PCB terminal

Hints: The customer has to decide what series resistor shall be used to the LED

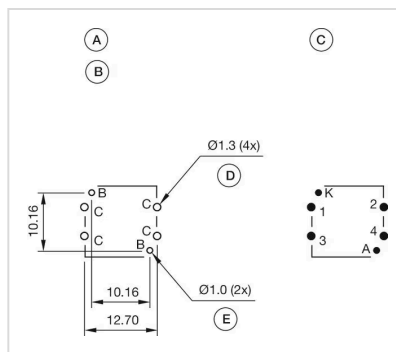
Wiring diagrams:



Dimension drawings:



Component layouts:



- A = Switching element with illumination
- B = Single LED
- C = Drilling plan (component side)
- D = Hole for switching