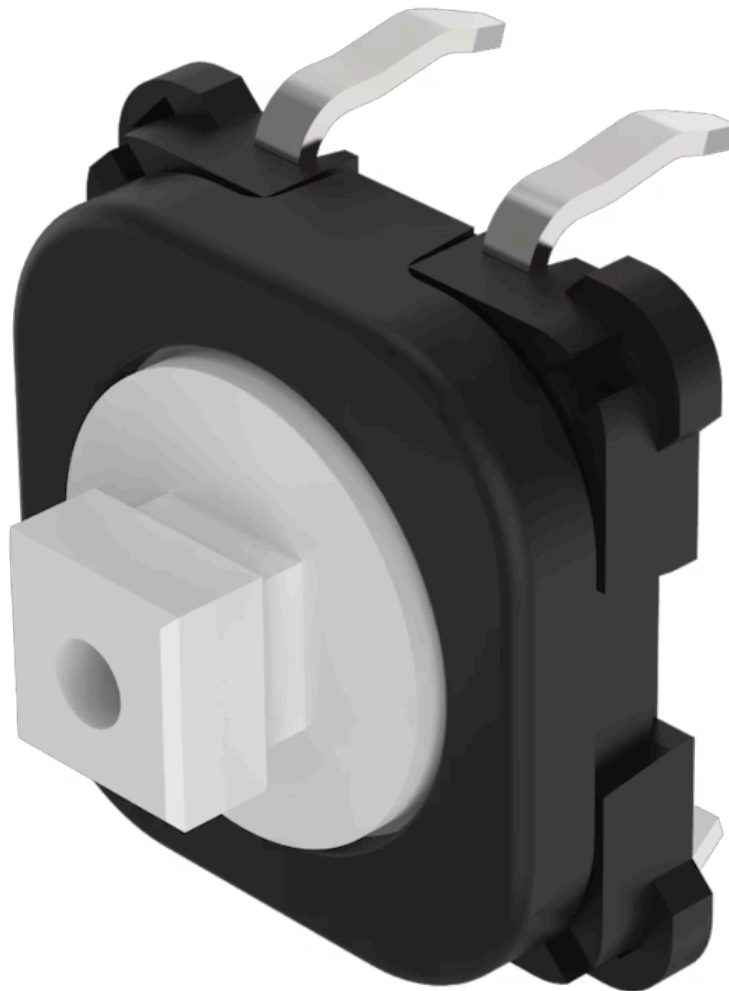


Switching element

70-201.0

Distribution by
DigiKey

DigiKey



<https://digikey.eao.com/component/70-201.0/en...>

Your product:



70-201.0 Switching element

Loading ...

ELECTRICAL CHARACTERISTICS

Switching voltage and switching current:

| | |
|-------------------|--|
| Switching voltage | min. 50 m VAC/DC max. 42 VAC/DC |
| Switching current | min. 10 μ A AC/DC max. 100 mA AC/DC |
| Power rating | max. 2 W |

Contacts:

1 NO

Forward voltage:

Switching rating:

42 V @ 0,1 A

Electrical lifetime:

\geq 500 000 cycles of operation at 42VDC, 50mA, according to IEC 60512-5-9c,
When attention is paid to the direction of current flow from terminal 3/4 to 1/2 the electrical life can be prolonged.

Electric strength:

500 VAC, 50 Hz, 1 minute according to DIN IEC 60512-2-4a

MECHANICAL CHARACTERISTICS

Terminal:

PCB terminal

Contact material:

Gold

Switching action:

Momentary

Switching system:

Short-travel element

Switching system:

Short-travel snap-action switching system with two independent contact points and tactile operation
Guarantees reliable switching even of very light loads.
1 normally open contact

Mechanical lifetime:

\geq 1 Mil. cycles of operation (switching element under overlay), \geq 5 Mil. cycles of operation (switching element without overlay)

Operating force:

2,1 N \pm 0,2 N with decor foil, >50 N max. on button centre with test plunger, according to DIN 42115

Operating Travel:

ca. 0.5 mm

Weight:

0.001 kg

AMBIENT CONDITION

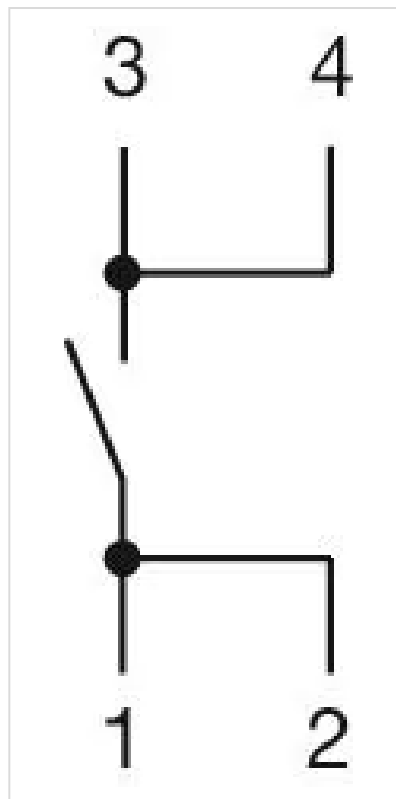
| | |
|-------------------------------|--|
| IP Protection: | IP40 (only switching element), IP65 (front side with overlay foil) |
| Operating temperature: | - 25 °C ... + 70 °C |
| Storage temperature: | - 40 °C ... + 85 °C |

CERTIFICATE

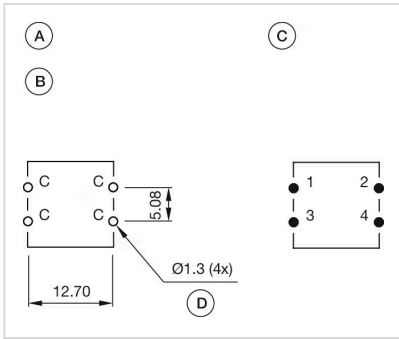
| | |
|----------------------|---------------------------------|
| Conformities: | CE, UKCA, 2011 / 65 / EC (RoHS) |
| REACH: | REACH compliant |
| RoHS: | RoHS compliant |

OTHER

| | |
|----------------------------|---|
| Short Description: | Switching element, Short-travel element, 42 V @ 0,1 A, Gold, 1 NO, PCB terminal |
| Product attributes: | Operation with spacing cap |
| Wiring diagrams: | |



Component layouts:



- A = Switching element without illumination
- B = Drilling plan (component side)
- C = Occupancy plan (component side)
- D = Hole for switching element

Dimension drawings:

