

# Protection cover

61-9924.0

Distribution by  
DigiKey

**DigiKey**



<https://digikey.eao.com/component/61-9924.0/e...>

Your product:

---



## 61-9924.0 Protection cover

*Loading ...*

### FRONT

<b>Front dimension:</b>	Ø 25 mm
<b>Colour:</b>	Colourless

### MOUNTING

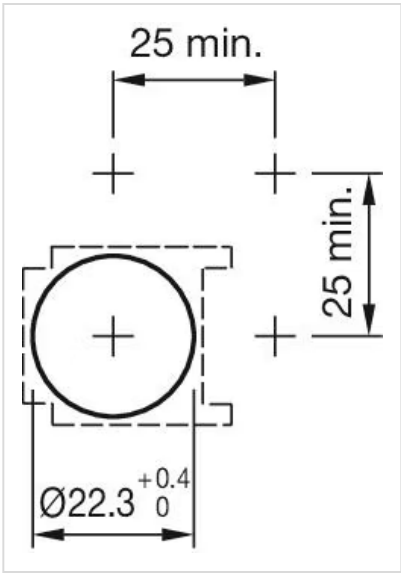
<b>Design:</b>	Flush
<b>Mounting cut-out:</b>	Ø 22.5 mm

### MECHANICAL CHARACTERISTICS

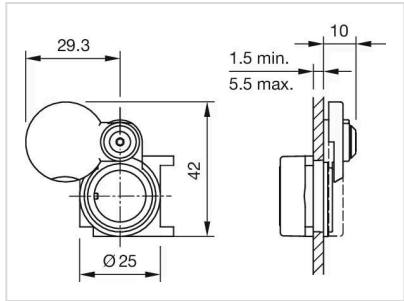
<b>Weight:</b>	0.006 kg
----------------	----------

### OTHER

<b>Short Description:</b>	Protection cover, Ø 25 mm, Ø 22.5 mm, Plastic, transparent, Colourless
<b>Titel Accessory:</b>	Protection cover
<b>Dimension:</b>	Ø 25 mm
<b>Material:</b>	Plastic
<b>Product attributes:</b>	Slide by side, without cover locking hole, for device with front dimension Ø 25 mm
<b>Optics:</b>	transparent
<b>Mounting cut-outs:</b>	



**Dimension drawings:**



for Part No. 61-9924.0