

Blind plug

61-9453.0

Distribution by
DigiKey

DigiKey



<https://digikey.eao.com/component/61-9453.0/e...>

Your product:



61-9453.0 Blind plug

Loading ...

FRONT

Colour: Black

MOUNTING

Mounting cut-out: Ø 22.5 mm

ELECTRICAL CHARACTERISTICS

Forward voltage:

MECHANICAL CHARACTERISTICS

Weight: 0.006 kg

OTHER

Short Description: Blind plug, Ø 25 mm, Ø 22.5 mm, Plastic, Black

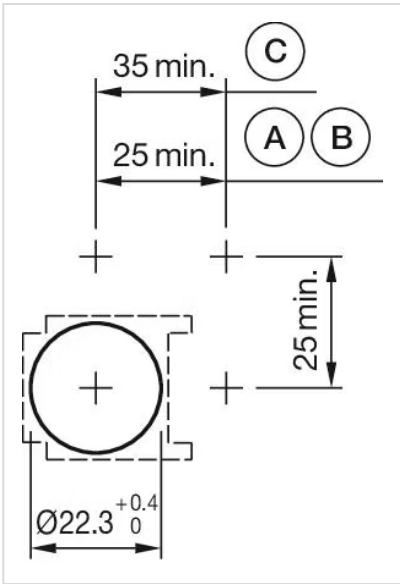
Titel Accessory: Blind plug

Dimension: Ø 25 mm

Material: Plastic

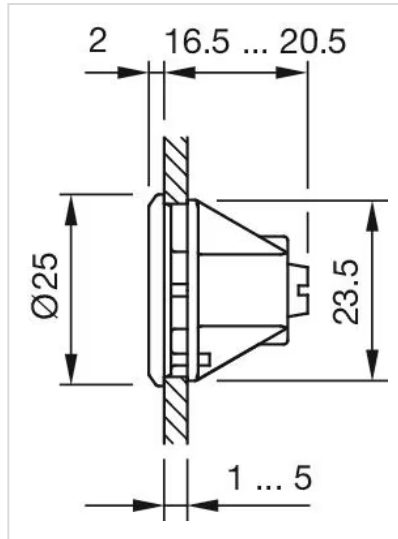
Hints: Please note that bigger minimum distances are necessary
Only for mounting in round hole without D-shape (Part No. 61-9453.0)

Mounting cut-outs:



A = Solder/Plug-in terminal 2.8 mm x 0.5 mm
 B = Solder terminal
 C = Screw terminal

Dimension drawings:



for Part No. 61-9453.0