

Blind plug

61-9452.0

Distribution by
DigiKey

DigiKey



<https://digikey.eao.com/component/61-9452.0/e...>

Your product:



61-9452.0 Blind plug

Loading ...

FRONT

Colour: Black

MOUNTING

Mounting cut-out: 21 mm x 27 mm

MECHANICAL CHARACTERISTICS

Weight: 0.007 kg

OTHER

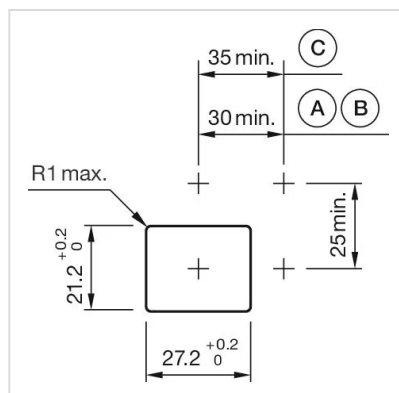
Short Description: Blind plug, 30 mm x 24 mm, 21 mm x 27 mm, Plastic, Black

Titel Accessory: Blind plug

Dimension: 30 mm x 24 mm

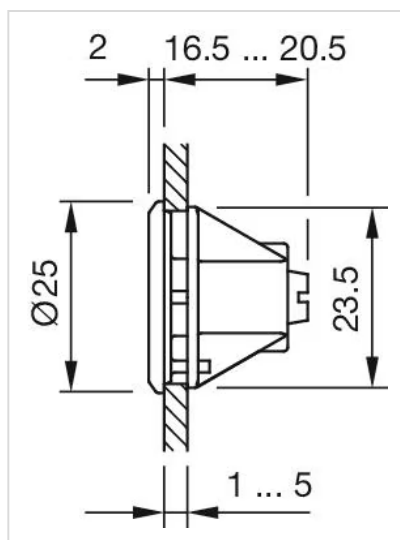
Material: Plastic

Mounting cut-outs:



A = Solder/Plug-in terminal 2.8 mm x 0.5 mm
B = Solder terminal
C = Screw terminal

Dimension drawings:



for Part No. 61-9453.0