

# Actuator

61-  
3440.4/1

Distribution by  
DigiKey

**DigiKey**



<https://digikey.eao.com/component/61-3440.4/1...>

Your product:

---



## 61-3440.4/1 Actuator

*Loading ...*

### **MOUNTING**

**Mounting type:** Panel mounting

### **OPERATING-/INDICATION PART**

**Lens colour:** Red

**Lens material:** Plastic

**Lens illumination:** Non illuminated

**Lens shape:** Mushroom-head

**Lens optics:** opaque

### **MECHANICAL CHARACTERISTICS**

**Switching action:** Maintained

**Release type:** Twist to unlock

**Tightening torque:** Max. 0.5 Nm

**Weight:** 0.015 kg

### **AMBIENT CONDITION**

**Operating temperature:** – 25 °C ... + 55 °C

### **CERTIFICATE**

**REACH:** REACH compliant

**RoHS:** RoHS compliant

**OTHER**

**Short Description:** Actuator, Mushroom-head, Non illuminated, Red, Plastic, opaque, Maintained, Twist to unlock

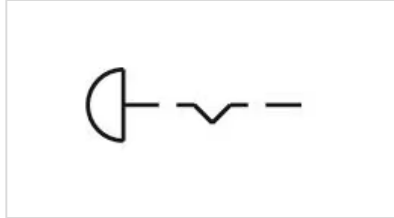
**Housing colour:** Yellow

**Housing material:** Plastic

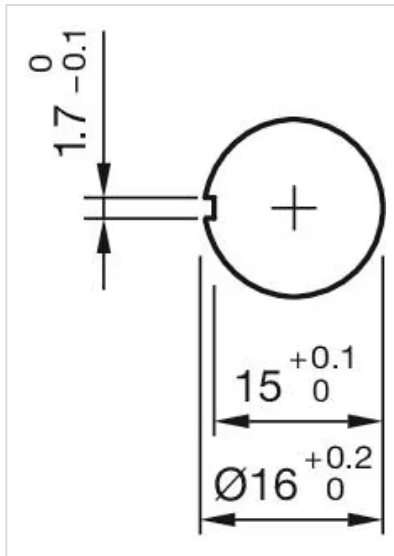
**Marking:** Arrows

**Product attributes:** Twist to unlock clockwise

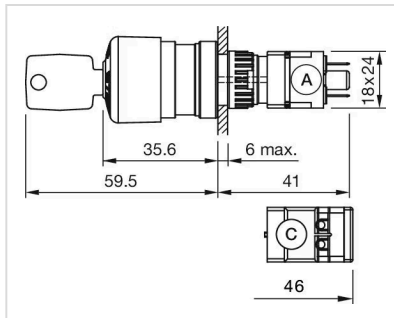
**Wiring diagrams:**



**Mounting cut-outs:**



**Dimension drawings:**



A = Plug-in terminal 2.8 mm x 0.5 mm  
C = Screw terminal