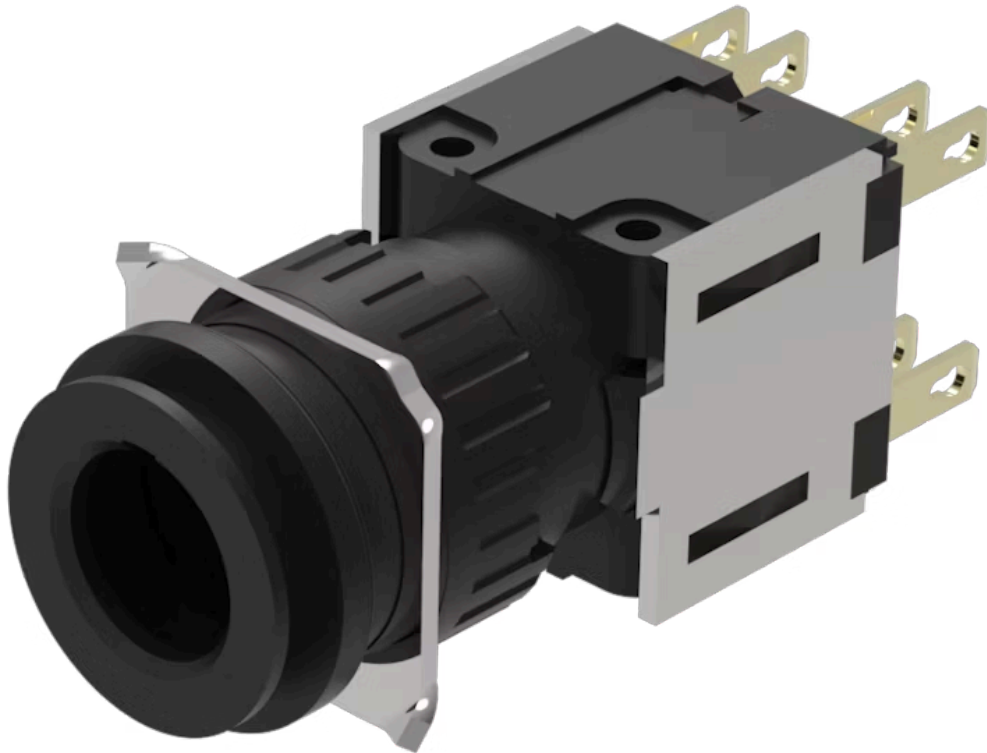


Actuator

52-
571.F22A

Distribution by
DigiKey

DigiKey



<https://digikey.eao.com/component/52-571.F22A...>

Your product:



52-571.F22A Actuator

Loading ...

FRONT

Front dimension: Ø 18 mm

Front form: Round

MOUNTING

Design: Raised

Mounting type: Panel mounting

OPERATING-/INDICATION PART

Lever material: plastic

Lever shape: short

ELECTRICAL CHARACTERISTICS

Switching voltage and switching current: 250 VAC, 5 A ($\cos\phi$ 0.75)

Contacts: 2 NC / 2 NO

Switching rating: 250 V @ 5 A

Electric strength: 2500 VAC, 50 Hz, 1 min. between all terminals and earth, according to IEC 61058-1, part 15

Protection class: II

Thermal current I_{th}: 5 A, according to EN / IEC 60947-5-1

MECHANICAL CHARACTERISTICS

Terminal: Plug-in terminal, 2.8 x 0.5 mm

Contact material:

Gold

| | |
|-----------------------------|--|
| Switching action: | Maintained - Rest - Maintained |
| Switching system: | Snap-action switching element |
| Switching system: | Self-cleaning, double-break snap action switching system, 2 normally closed and 2 normally open contact per element. |
| Switching positions: | 3 positions |
| Switching angle: | 90° left / 90° right |
| Mechanical lifetime: | 100 000 cycles of operation |
| Tightening torque: | Fixing nut max. 0.5 Nm |
| Wire cross section: | Max. wire cross-section 2 wires with 1 mm Max. wire cross-section of stranded cable 2 x 0.75 mm ² |
| Weight: | 0.011 kg |

AMBIENT CONDITION

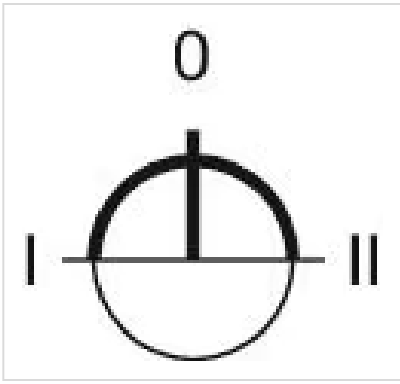
| | |
|-------------------------------|---------------------------------|
| IP front protection: | IP65, according to DIN EN 60529 |
| Operating temperature: | - 25 °C ... + 55 °C |
| Storage temperature: | - 40 °C ... + 85 °C |

CERTIFICATE

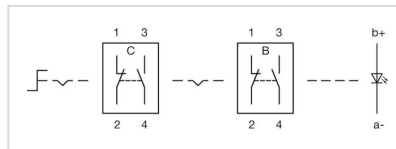
| | |
|----------------------|---|
| Approbations: | CB (IEC 61058-1), CQC, CSA, DNV, ENEC (EN 61058-1), UL |
| Conformities: | CE, UKCA, 2011 / 65 / EC (RoHS), 2014 / 30 / EU (EMC), 2014 / 35 / EU (LVD) |
| REACH: | REACH compliant |
| RoHS: | RoHS compliant |

OTHER

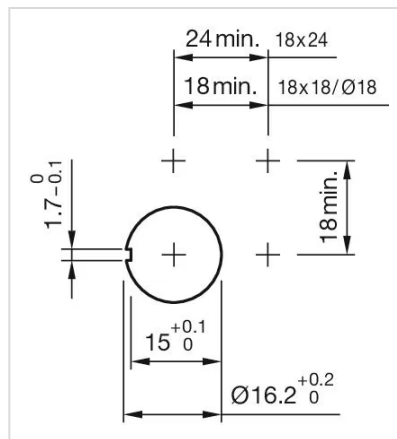
| | |
|-----------------------------|--|
| Short Description: | Actuator, Ø 18 mm, optional illuminative, short, Round, 2 NC / 2 NO, Maintained - Rest - Maintained, Plug-in terminal, 2.8 x 0.5 mm, IP65, according to DIN EN 60529 |
| Hints: | Illuminative |
| Switching positions: | |



Wiring diagrams:



Mounting cut-outs:



Dimension drawings:

