

Actuator

51-
741.006

Distribution by
DigiKey

DigiKey



<https://digkey.eao.com/p/51-741.006>

Your product:



51-741.006 Actuator

FRONT

Front dimension: Ø 18 mm

MOUNTING

Design: raised

ELECTRICAL CHARACTERISTICS

Electric strength: 2500 VAC, 50 Hz, 1 min. between all terminals and earth, according to IEC 61058-1, part 15

Switching voltage and switching current: 100 mA at 42 VAC/VDC

MECHANICAL CHARACTERISTIC

Tightening torque: Fixing nut max. 0.5 Nm

Weight: 0.006 kg

Terminal: Universal terminal, 2 x 0.5 mm

AMBIENT CONDITION

Storage temperature: - 40 °C ... + 85 °C

Operating temperature: - 25 °C ... + 55 °C, mounted as a block, make sure the heat can escape freely

IP front protection: IP65, according to DIN EN 60529

Shock resistance: 15 g for 11 ms, as per DIN / EN 60512-4-3, DIN / EN 60068-2-27 (Single impacts, semi-sinusoidal)

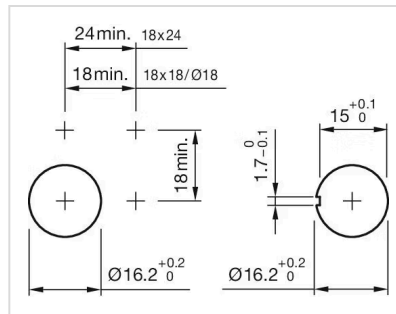
OTHER

Housing colour: Black

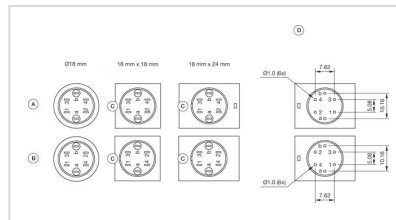
Internal size: Ø 15,8 mm

Short Description: Actuator, Ø 18 mm, Universal terminal, 2 x 0.5 mm, IP65, according to DIN EN 60529

Mounting cut-outs:

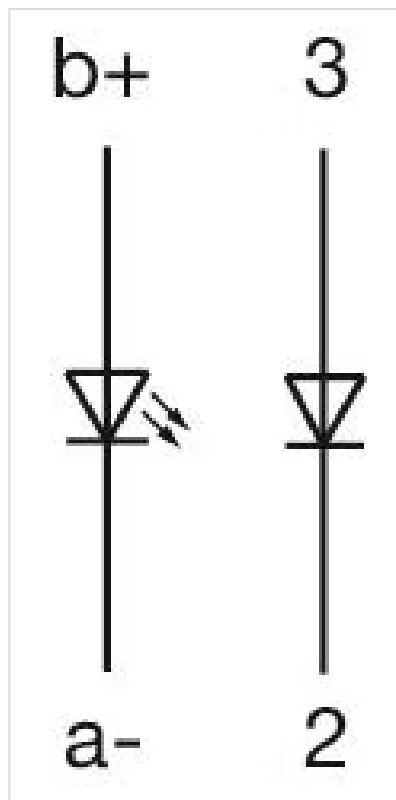


Component layouts:

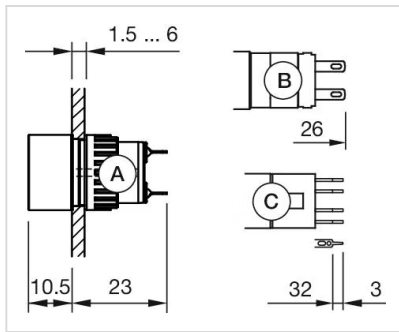


A = Universal terminal (rear side)
B = Plug-in terminal (rear side)
C = Anti twist device
D = Drilling plan

Wiring diagrams:



Dimension drawings:



A = Solder terminal

B = Plug-in terminal 2.8 mm x 0.5 mm

C = Universal terminal 2.0 mm x 0.5 mm