

Actuator

51-
714.0292

Distribution by
DigiKey

DigiKey



<https://digikey.eao.com/p/51-714.0292>

Your product:



51-714.0292 Actuator

FRONT

Front bezel material:	Plastic
Front dimension:	24 mm x 18 mm
Front bezel colour:	Black

MOUNTING

Design:	raised
----------------	--------

OPERATING-/INDICATION PART

Lens illumination:	illuminative
---------------------------	--------------

ELECTRICAL CHARACTERISTICS

Electrical lifetime:	50 000 cycles of operation
Rated Operational Voltage Ue:	250 VAC/DC according to EN IEC 60947-1
Protection class:	II
Thermal current Ith:	5 A, according to EN / IEC 60947-5-1 The maximum current in continuous operation and at ambient temperature not exceeding the quoted maximum values.
Standards:	According to EN/IEC 61058-1
Contacts:	1 NC / 1 NO
Switching voltage and switching current:	250 VAC, 5 A (ohmic) 250 VAC, 3 A (Soldering terminal) 250 VAC, 2 A (inductive, $\cos(\phi) = 0.7$) 125 VAC, 3 A (inductive, $\cos(\phi) = 0.7$) 220 VDC, 0.1 A (inductive, L:R = 30 ms) 110 VDC, 0.2 A (inductive, L:R = 30 ms) 60 VDC, 0.7 A (inductive, L:R = 30 ms) 24 VDC, 2 A (inductive, L:R = 30 ms)

Electric strength: 2500 VAC, 50 Hz, 1 min. between all terminals and earth, according to IEC 61058-1, part 15

MECHANICAL CHARACTERISTIC

Terminal: Universal soldering terminal

Operating Travel: 3 mm

Operating force: 1,8 ... 6 N, depending on the number of switching elements

Weight: 0.008 kg

Switching system: Snap-action switching element

Mechanical lifetime: 1 Mio. cycles of operation

Wire cross section: Snap-action switching element with tinned soldering terminals at the sides
Max. wire diameter 2 wires à 1.2 mm
Max. wire cross-section of stranded cable 1 x 1 mm²

Tightening torque: Fixing nut max. 0.5 Nm

Switching system: Self-cleaning, double-break snap action switching system, 1 normally closed and 1 normally open contact per element.

Contact material: Gold

Switching action: Maintained

AMBIENT CONDITION

Operating temperature: – 25 °C ... + 55 °C, mounted as a block, make sure the heat can escape freely

Storage temperature: – 40 °C ... + 85 °C

Vibration resistance: 10 g at 10 Hz...1500 Hz, amplitude 0.75 mm (Sinusoidal), according to DIN EN 60512-4-4, DIN EN 60068-2-6

Shock resistance: 15 g for 11 ms, as per DIN / EN 60512-4-3, DIN / EN 60068-2-27 (Single impacts, semi-sinusoidal)

IP front protection: IP65, according to DIN EN 60529

Climate resistance: Standard condition, as per DIN EN 60068-2-30
Changing condition, as per DIN EN 60068-2-14

CERTIFICATE

Conformities: CE, UKCA, 2011 / 65 / EC (RoHS), 2014 / 30 / EU (EMC), 2014 / 35 / EU (LVD)

Approbations: CB (IEC 61058-1), CQC, CSA, DNV, ENEC (EN 61058-1), UL

OTHER

Housing colour:

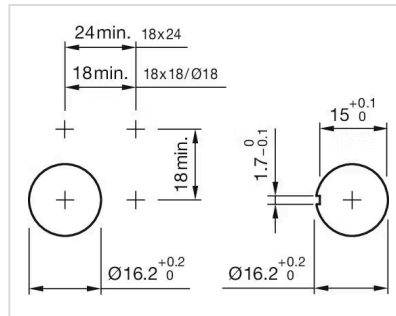
Black

Internal size: 21,5 mm x 15,3 mm

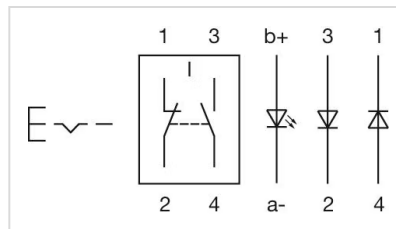
Short Description: Actuator, 24 mm x 18 mm, illuminative, Black, Plastic, 1 NC / 1 NO, Maintained, Universal soldering terminal, IP65, according to DIN EN 60529

max. number of switching elements: 4

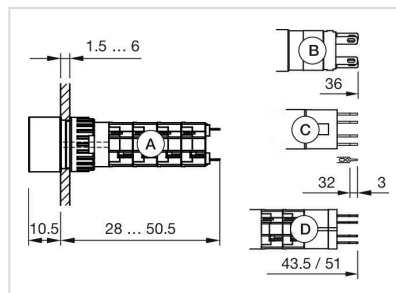
Mounting cut-outs:



Wiring diagrams:



Dimension drawings:



A = Solder terminal
B = Plug-in terminal 2.8 mm x 0.5 mm
C = Universal terminal 2.0 mm x 0.5 mm
D = Universal-Sol