

Actuator

51-
701.006

Distribution by
DigiKey

DigiKey



<https://digikey.eao.com/p/51-701.006>

Your product:



51-701.006 Actuator

FRONT

Front dimension: 24 mm x 18 mm

MOUNTING

Design: raised

ELECTRICAL CHARACTERISTICS

Electric strength: 2500 VAC, 50 Hz, 1 min. between all terminals and earth, according to IEC 61058-1, part 15

Switching voltage and switching current: 100 mA at 42 VAC/VDC

MECHANICAL CHARACTERISTIC

Weight: 0.006 kg

Tightening torque: Fixing nut max. 0.5 Nm

Terminal: Universal terminal, 2 x 0.5 mm

AMBIENT CONDITION

Operating temperature: - 25 °C ... + 55 °C, mounted as a block, make sure the heat can escape freely

Shock resistance: 15 g for 11 ms, as per DIN / EN 60512-4-3, DIN / EN 60068-2-27 (Single impacts, semi-sinusoidal)

Storage temperature: - 40 °C ... + 85 °C

IP front protection: IP65, according to DIN EN 60529

OTHER

Short Description:

Actuator, 24 mm x 18 mm, Universal terminal, 2 x 0.5 mm, IP65, according to DIN EN 60529

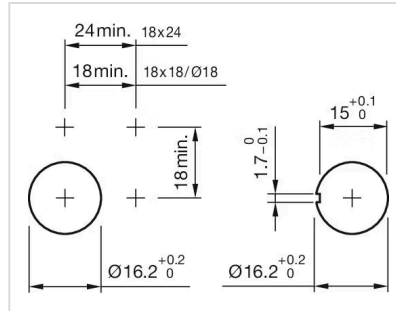
Housing colour:

Black

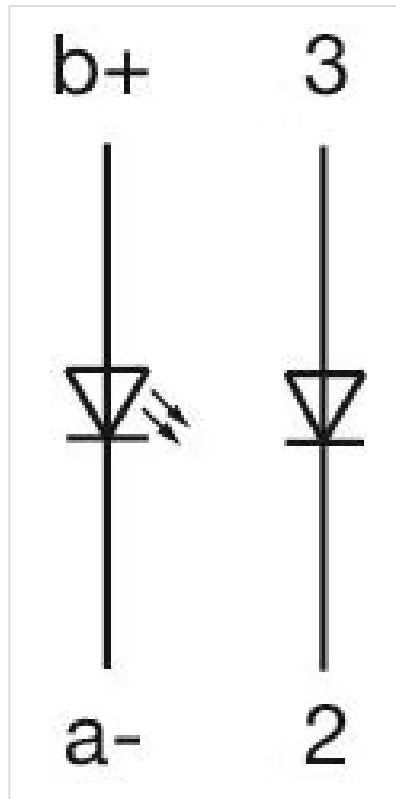
Internal size:

21,5 mm x 15,3 mm

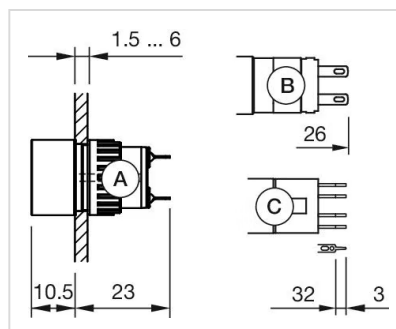
Mounting cut-outs:



Wiring diagrams:

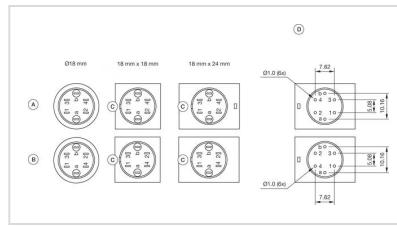


Dimension drawings:



A = Solder terminal
B = Plug-in terminal 2.8 mm x 0.5 mm
C = Universal terminal 2.0 mm x 0.5 mm

Component layouts:



- A = Universal terminal (rear side)
- B = Plug-in terminal (rear side)
- C = Anti twist device
- D = Drilling plan