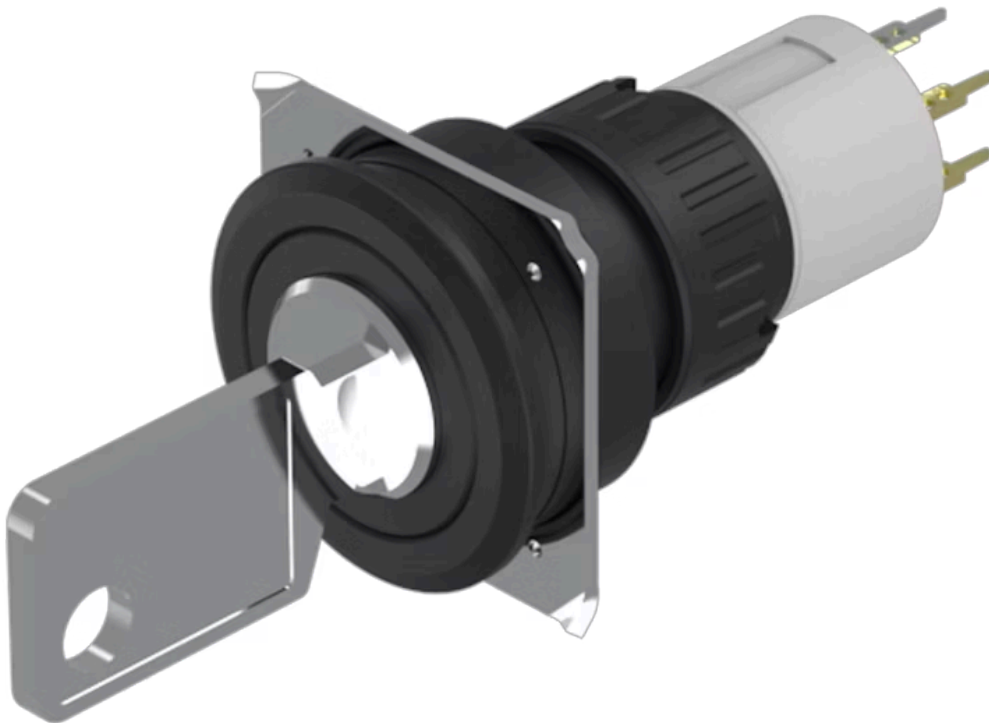


Actuator

51-
438.036DF

Distribution by
DigiKey

DigiKey



<https://digikey.eao.com/p/51-438.036DF>

Your product:



51-438.036DF Actuator

FRONT

Front dimension: Ø 25 mm

MOUNTING

Design: flush

ELECTRICAL CHARACTERISTICS

Switching voltage and switching current: 100 mA at 42 VAC/VDC

Electrostatic discharge (ESD): ≤ 15 kV

Contacts: 1 NC / 1 NO

Electric strength: 2500 VAC, 50 Hz, 1 min. between all terminals and earth, according to IEC 61058-1, part 15

MECHANICAL CHARACTERISTIC

Contact material: Gold

Switching system: This low-level switching element was designed for switching low powers in electronic circuits. The mechanism assures reliable switching of loads ranging from a few $\mu\text{A}/\mu\text{V}$ up to 100 mA/ 42 VAC/DC. Single-break momentary contact, as normally open or normally closed with 4 independent points of contact. 2 momentary contacts per switching element; combination of normally open and normally closed is possible. Special features are the long life, extremely short rebound time and stable contact resistance.

Tightening torque: Fixing nut max. 0.5 Nm

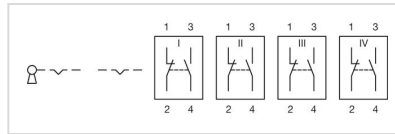
Terminal: Universal terminal, 2 x 0.5 mm

Mechanical lifetime: 50 000 cycles of operation

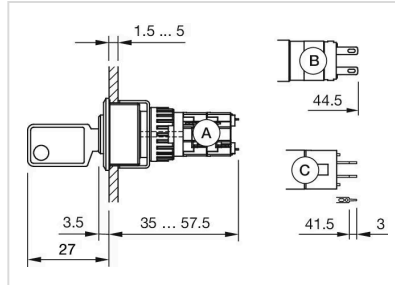
Switching angle: 42° right

Operating force:

Wiring diagrams:



Dimension drawings:



A = Solder terminal
B = Solder terminal 2.8 mm x 0.5 mm
C = Universal terminal 2.0 mm x 0.5 mm

Mounting cut-outs:

