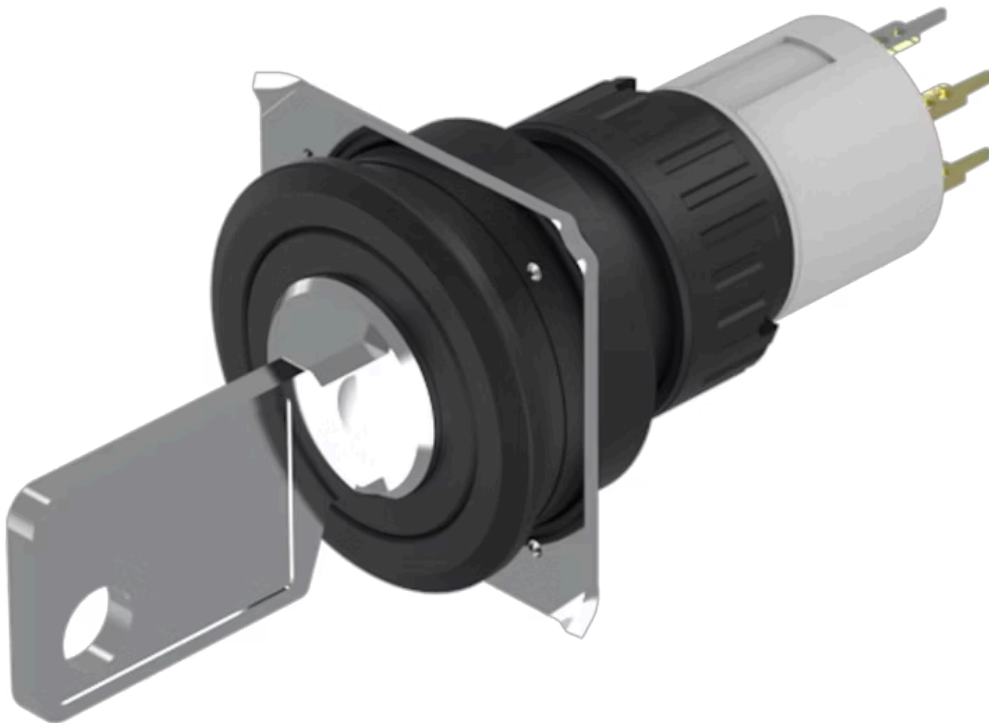


Actuator

51-
415.036DF

Distribution by
DigiKey

DigiKey



<https://digikey.eao.com/p/51-415.036DF>

Your product:



51-415.036DF Actuator

FRONT

Front dimension: Ø 25 mm

MOUNTING

Design: flush

ELECTRICAL CHARACTERISTICS

Contacts: 1 NC / 1 NO

Electric strength: 2500 VAC, 50 Hz, 1 min. between all terminals and earth, according to IEC 61058-1, part 15

Electrostatic discharge (ESD): ≤ 15 kV

Switching voltage and switching current: 100 mA at 42 VAC/VDC

MECHANICAL CHARACTERISTIC

Tightening torque: Fixing nut max. 0.5 Nm

Operating force: 1,8 ... 3,5 N

Switching system: This low-level switching element was designed for switching low powers in electronic circuits. The mechanism assures reliable switching of loads ranging from a few $\mu\text{A}/\mu\text{V}$ up to 100 mA/ 42 VAC/DC. Single-break momentary contact, as normally open or normally closed with 4 independent points of contact. 2 momentary contacts per switching element; combination of normally open and normally closed is possible. Special features are the long life, extremely short rebound time and stable contact resistance.

Switching system: Low-level element

Weight: 0.016 kg

Contact material: Gold

Switching angle:

90° right

Terminal: Universal terminal, 2 x 0.5 mm

Switching positions: 2 positions

Switching action: Rest (a) - Maintained

Mechanical lifetime: 50 000 cycles of operation

AMBIENT CONDITION

Storage temperature: - 40 °C ... + 85 °C

IP front protection: IP65, according to DIN EN 60529

Shock resistance: 15 g for 11 ms, as per DIN / EN 60512-4-3, DIN / EN 60068-2-27 (Single impacts, semi-sinusoidal)

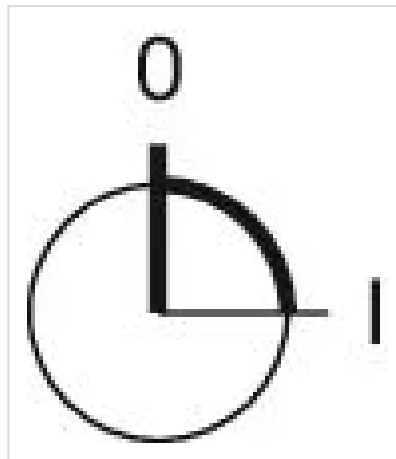
OTHER

Hints: Standard lock: DOM 311

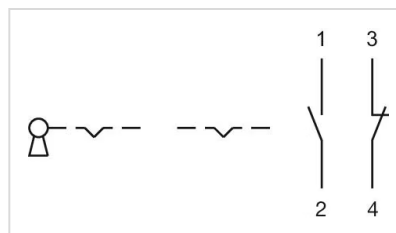
Short Description: Actuator, Ø 25 mm, 1 NC / 1 NO, Rest (a) - Maintained, Universal terminal, 2 x 0.5 mm, IP65, according to DIN EN 60529

Housing colour: Black

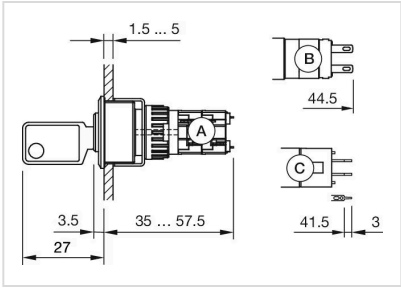
Switching positions:



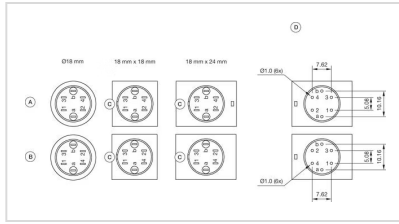
Wiring diagrams:



Dimension drawings:



Component layouts:



Mounting cut-outs:

