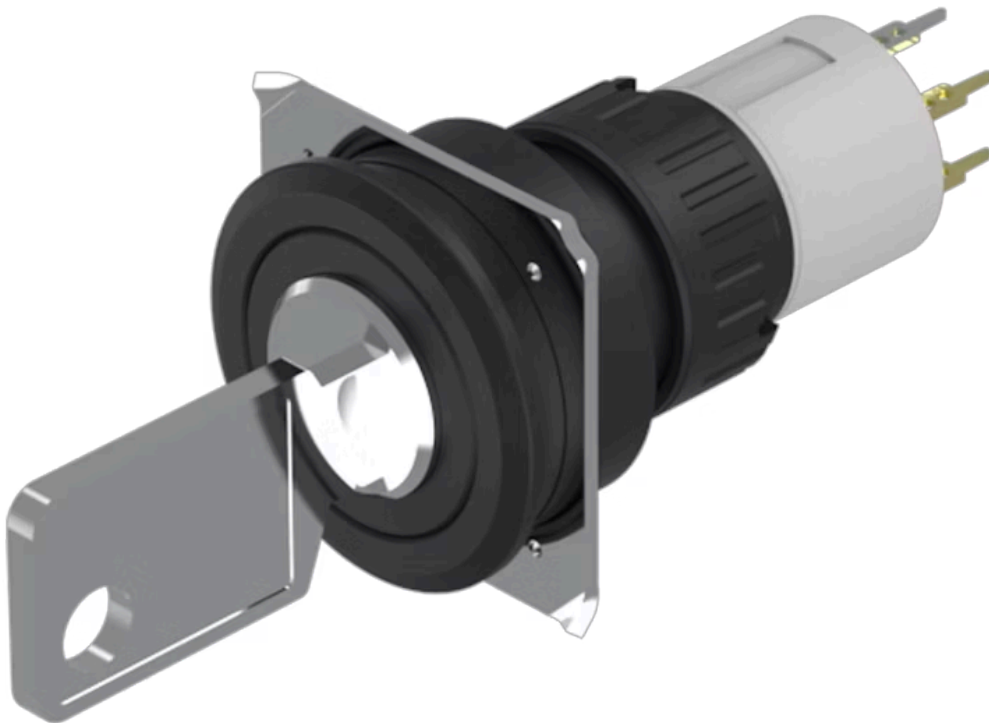


# Actuator

51-  
412.036DF

Distribution by  
DigiKey

**DigiKey**



<https://digikey.eao.com/p/51-412.036DF>

Your product:

---



## 51-412.036DF Actuator

### FRONT

**Front dimension:** Ø 25 mm

### MOUNTING

**Design:** flush

### ELECTRICAL CHARACTERISTICS

**Contacts:** 1 NC / 1 NO

**Electrostatic discharge (ESD):** ≤ 15 kV

**Electric strength:** 2500 VAC, 50 Hz, 1 min. between all terminals and earth, according to IEC 61058-1, part 15

**Switching voltage and switching current:** 100 mA at 42 VAC/VDC

### MECHANICAL CHARACTERISTIC

**Mechanical lifetime:** 50 000 cycles of operation

**Terminal:** Universal terminal, 2 x 0.5 mm

**Switching action:** Rest (a) - Maintained (a)

**Contact material:** Gold

**Tightening torque:** Fixing nut max. 0.5 Nm

**Switching positions:** 2 positions

**Switching system:** Low-level element

**Operating force:** 1,8 ... 3,5 N

**Weight:** 0.016 kg

**Switching system:**

This low-level switching element was designed for switching low powers in electronic circuits. The mechanism assures reliable switching of loads ranging from a few  $\mu\text{A}/\mu\text{V}$  up to 100 mA/ 42 VAC/DC.

Single-break momentary contact, as normally open or normally closed with 4 independent points of contact. 2 momentary contacts per switching element; combination of normally open and normally closed is possible.

Special features are the long life, extremely short rebound time and stable contact resistance.

**Switching angle:** 90° right

## AMBIENT CONDITION

**IP front protection:** IP65, according to DIN EN 60529

**Storage temperature:** - 40 °C ... + 85 °C

**Shock resistance:** 15 g for 11 ms, as per DIN / EN 60512-4-3, DIN / EN 60068-2-27 (Single impacts, semi-sinusoidal)

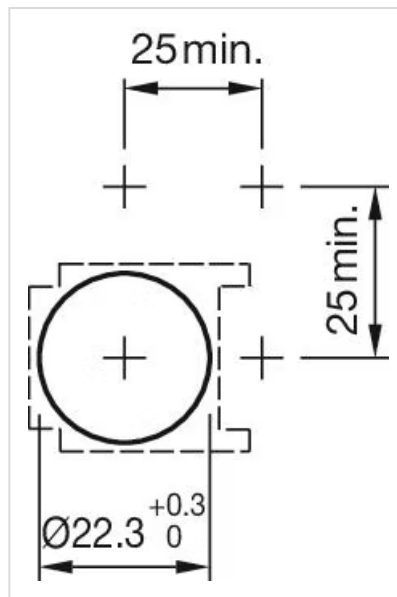
## OTHER

**Short Description:** Actuator,  $\varnothing$  25 mm, 1 NC / 1 NO, Rest (a) - Maintained (a), Universal terminal, 2 x 0.5 mm, IP65, according to DIN EN 60529

**Housing colour:** Black

**Hints:** Standard lock: DOM 311

**Mounting cut-outs:**



**Dimension drawings:**

