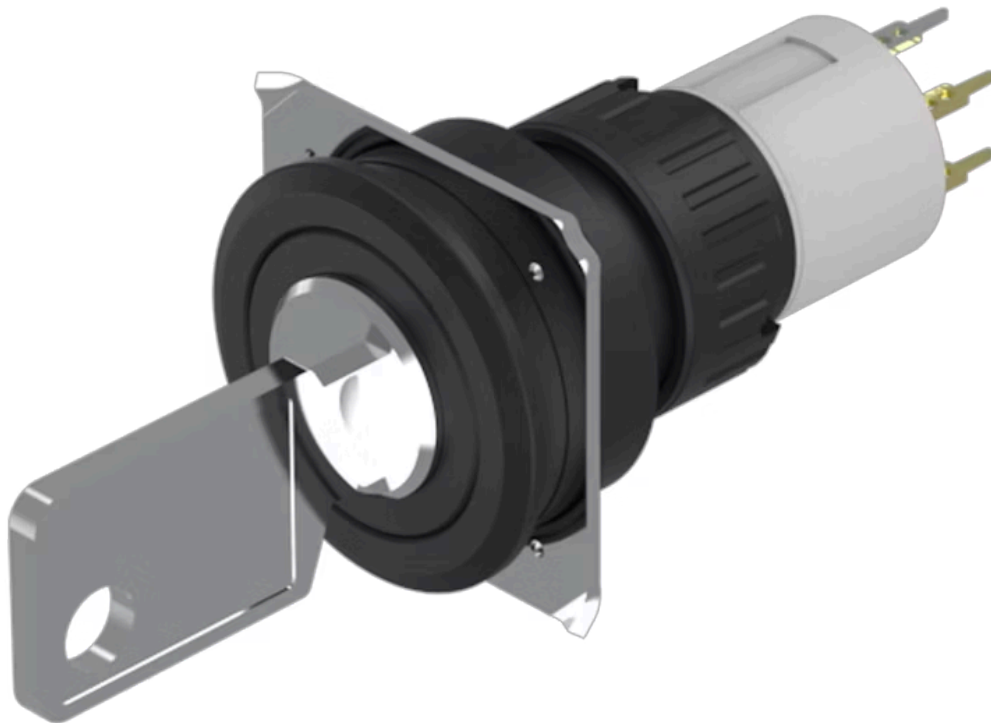


Actuator

51-
411.036DF

Distribution by
DigiKey

DigiKey



<https://digikey.eao.com/p/51-411.036DF>

Your product:



51-411.036DF Actuator

FRONT

Front dimension: Ø 25 mm

MOUNTING

Design: flush

ELECTRICAL CHARACTERISTICS

Electric strength: 2500 VAC, 50 Hz, 1 min. between all terminals and earth, according to IEC 61058-1, part 15

Contacts: 2 NO

Switching voltage and switching current: 100 mA at 42 VAC/VDC

Electrostatic discharge (ESD): ≤ 15 kV

MECHANICAL CHARACTERISTIC

Tightening torque: Fixing nut max. 0.5 Nm

Switching system: This low-level switching element was designed for switching low powers in electronic circuits. The mechanism assures reliable switching of loads ranging from a few $\mu\text{A}/\mu\text{V}$ up to 100 mA/ 42 VAC/DC. Single-break momentary contact, as normally open or normally closed with 4 independent points of contact. 2 momentary contacts per switching element; combination of normally open and normally closed is possible. Special features are the long life, extremely short rebound time and stable contact resistance.

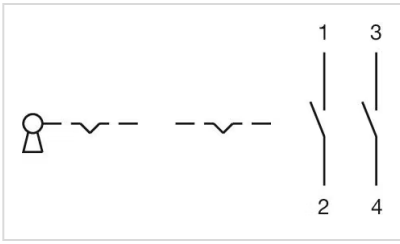
Mechanical lifetime: 50 000 cycles of operation

Weight: 0.016 kg

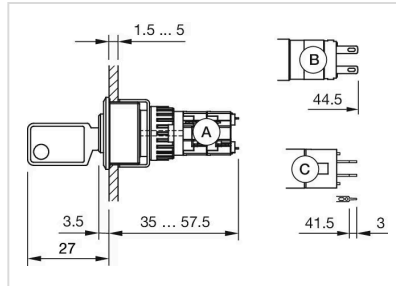
Switching positions: 2 positions

Terminal: Universal terminal, 2 x 0.5 mm

Switching system:



Dimension drawings:



Mounting cut-outs:

