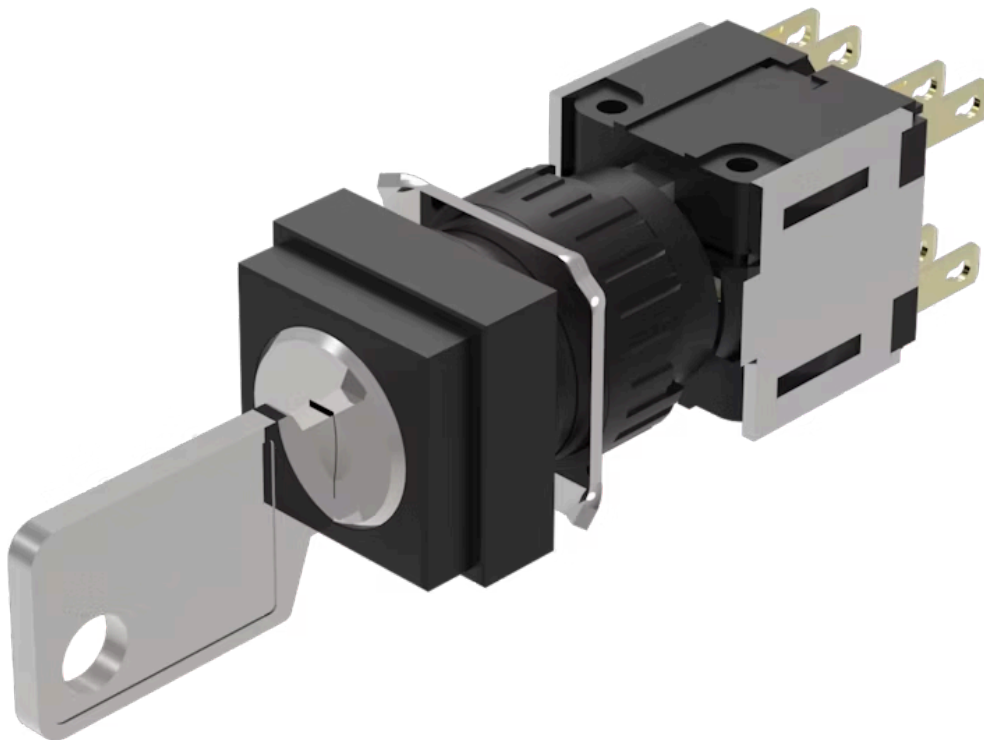


# Actuator

51-  
385.F22D

Distribution by  
DigiKey

**DigiKey**



<https://digikey.eao.com/p/51-385.F22D>

Your product:

---



## 51-385.F22D Actuator

### FRONT

**Front dimension:** 18 mm x 18 mm

### MOUNTING

**Design:** raised

### ELECTRICAL CHARACTERISTICS

**Electric strength:** 2500 VAC, 50 Hz, 1 min. between all terminals and earth, according to IEC 61058-1, part 15

**Thermal current I<sub>th</sub>:** 5 A, according to EN / IEC 60947-5-1

**Electrostatic discharge (ESD):** ≤ 15 KV

**Switching voltage and switching current:** 250 VAC, 5 A (cosφ 0.75)

**Protection class:** II

**Contacts:** 2 NC / 2 NO

### MECHANICAL CHARACTERISTIC

**Switching positions:** 3 positions

**Contact material:** Gold

**Mechanical lifetime:** 50 000 cycles of operation

**Weight:** 0.025 kg

**Terminal:** Plug-in terminal, 2.8 x 0.5 mm

**Switching system:** Self-cleaning, double-break snap action switching system, 2 normally closed and 2 normally open contact per element.

**Switching system:** Snap-action switching element

**Wire cross section:** Max. wire cross-section 2 wires with 1 mm  
Max. wire cross-section of stranded cable 2 x 0.75 mm<sup>2</sup>

**Switching angle:** 42° left / 90° right

**Switching action:** Momentary - Rest (a) - Maintained

**Tightening torque:** Fixing nut max. 0.5 Nm

**AMBIENT CONDITION**

**Storage temperature:** - 40 °C ... + 85 °C

**Operating temperature:** - 25 °C ... + 55 °C

**IP front protection:** IP65, according to DIN EN 60529

**CERTIFICATE**

**Approbations:** CB (IEC 61058-1), CQC, CSA, DNV, ENEC (EN 61058-1), UL

**Conformities:** CE, UKCA, 2011 / 65 / EC (RoHS), 2014 / 30 / EU (EMC), 2014 / 35 / EU (LVD)

**OTHER**

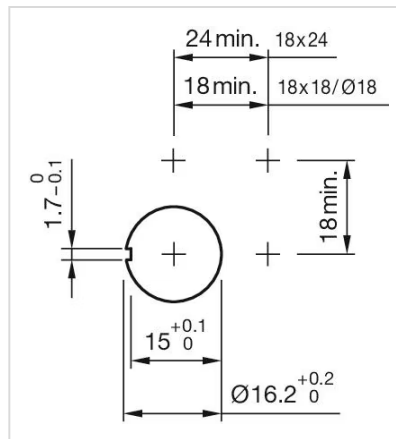
**Hints:** Standard lock: DOM 311

**Housing colour:** Black

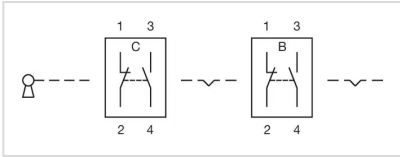
**Short Description:** Actuator, 18 mm x 18 mm, 2 NC / 2 NO, Momentary - Rest (a) - Maintained, Plug-in terminal, 2.8 x 0.5 mm, IP65, according to DIN EN 60529

**max. number of switching elements:** 1

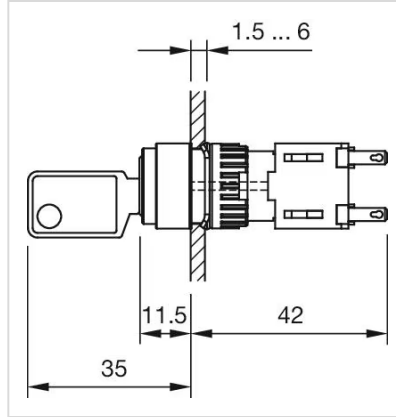
**Mounting cut-outs:**



**Wiring diagrams:**



**Dimension drawings:**



**Switching positions:**

