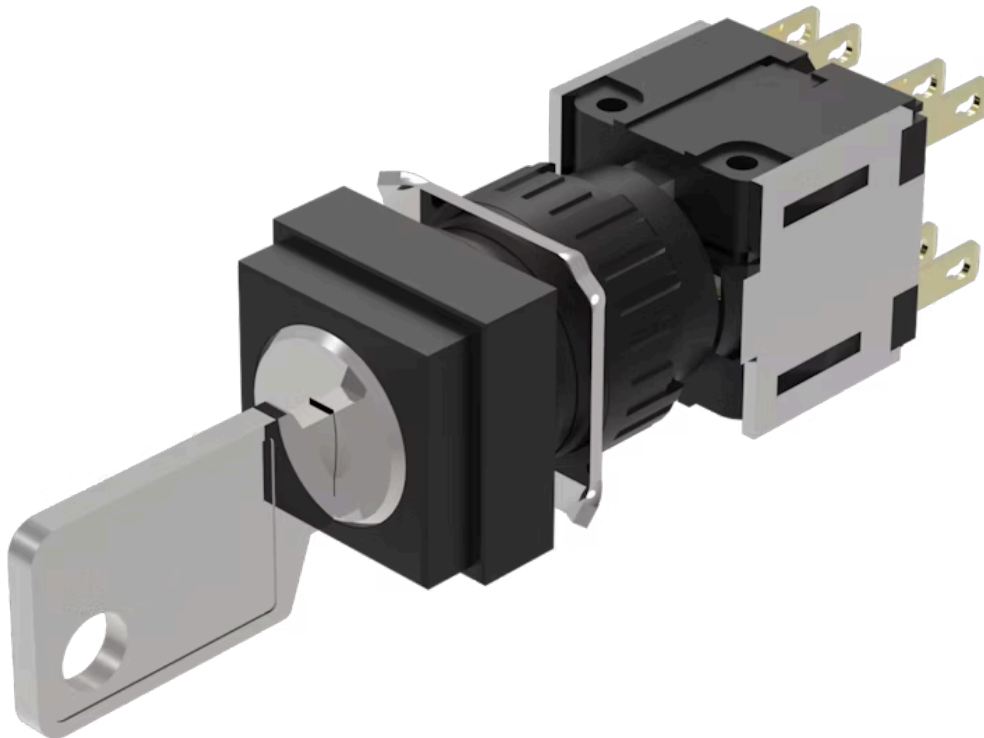


Actuator

51-
382.F22D

Distribution by
DigiKey

DigiKey



<https://digikey.eao.com/p/51-382.F22D>

Your product:



51-382.F22D Actuator

FRONT

Front dimension: 18 mm x 18 mm

MOUNTING

Design: raised

ELECTRICAL CHARACTERISTICS

Thermal current I_{th}: 5 A, according to EN / IEC 60947-5-1

Electrostatic discharge (ESD): ≤ 15 KV

Protection class: II

Switching voltage and switching current: 250 VAC, 5 A (cosφ 0.75)

Electric strength: 2500 VAC, 50 Hz, 1 min. between all terminals and earth, according to IEC 61058-1, part 15

Contacts: 2 NC / 2 NO

MECHANICAL CHARACTERISTIC

Contact material: Gold

Switching action: Maintained (a) - Rest (a) - Maintained (a)

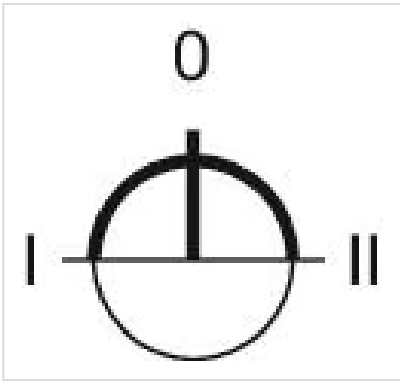
Wire cross section: Max. wire cross-section 2 wires with 1 mm
Max. wire cross-section of stranded cable 2 x 0.75 mm²

Switching system: Snap-action switching element

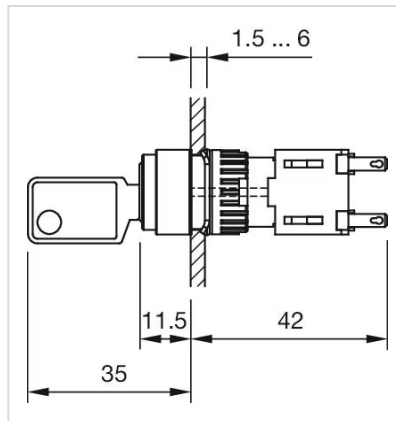
Mechanical lifetime: 50 000 cycles of operation

Switching angle: 90° left / 90° right

Terminal: Plug-in terminal, 2.8 x 0.5 mm



Dimension drawings:



Wiring diagrams:

