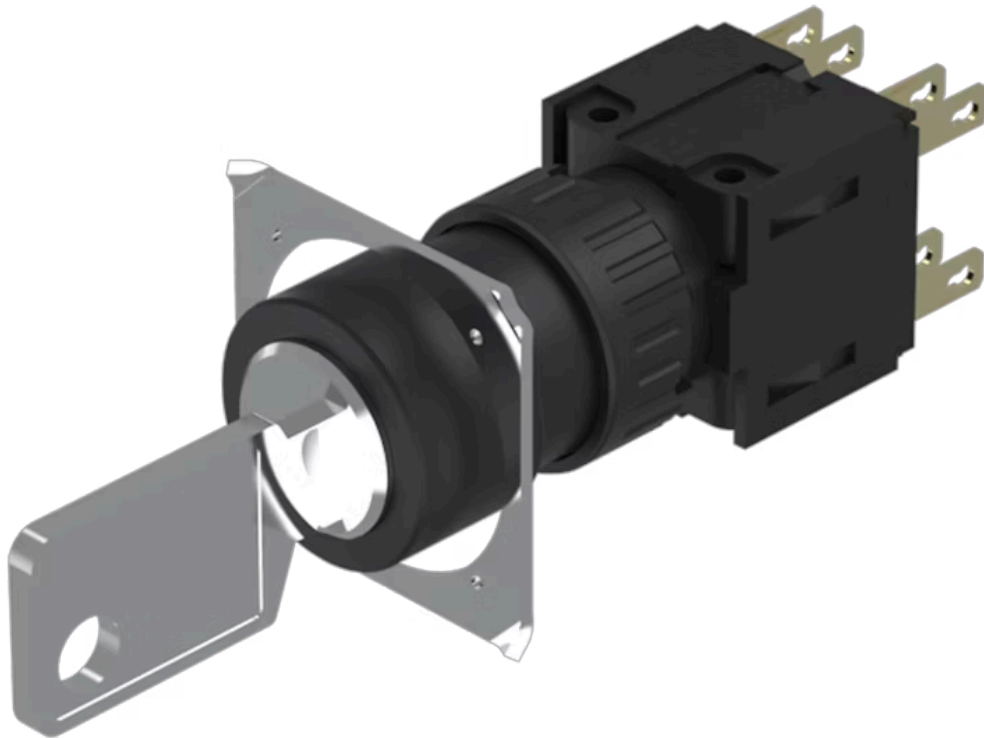


Actuator

51-
378.F22DF

Distribution by
DigiKey

DigiKey



<https://digikey.eao.com/p/51-378.F22DF>

Your product:



51-378.F22DF Actuator

MOUNTING

Design:	flush
Mounting cut-out:	Ø 25 mm

ELECTRICAL CHARACTERISTICS

Electric strength:	2500 VAC, 50 Hz, 1 min. between all terminals and earth, according to IEC 61058-1, part 15
Protection class:	II
Contacts:	2 NC / 2 NO
Electrostatic discharge (ESD):	≤ 15 KV
Switching voltage and switching current:	250 VAC, 5 A (cosφ 0.75)
Thermal current I_{th}:	5 A, according to EN / IEC 60947-5-1

MECHANICAL CHARACTERISTIC

Switching action:	Maintained (a) - Rest (a) - Momentary
Wire cross section:	Max. wire cross-section 2 wires with 1 mm Max. wire cross-section of stranded cable 2 x 0.75 mm ²
Switching positions:	3 positions
Switching system:	Snap-action switching element
Switching angle:	90° left / 42° right
Weight:	0.027 kg
Contact material:	Gold
Switching system:	Self-cleaning, double-break snap action switching system, 2 normally closed and 2 normally open contact per element.
Mechanical lifetime:	50 000 cycles of operation

Terminal: Plug-in terminal, 2.8 x 0.5 mm

Tightening torque: Fixing nut max. 0.5 Nm

AMBIENT CONDITION

Operating temperature: - 25 °C ... + 55 °C

IP front protection: IP65, according to DIN EN 60529

Storage temperature: - 40 °C ... + 85 °C

CERTIFICATE

Conformities: CE, UKCA, 2011 / 65 / EC (RoHS), 2014 / 30 / EU (EMC), 2014 / 35 / EU (LVD)

Approbations: CB (IEC 61058-1), CQC, CSA, DNV, ENEC (EN 61058-1), UL

OTHER

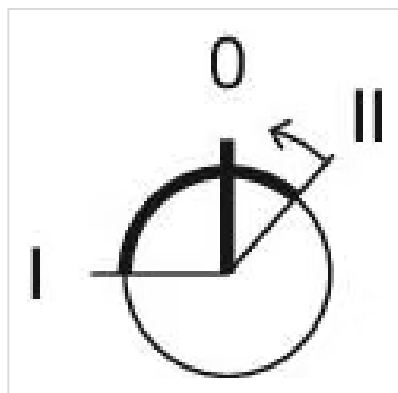
Hints: Standard lock: DOM 311

Housing colour: Black

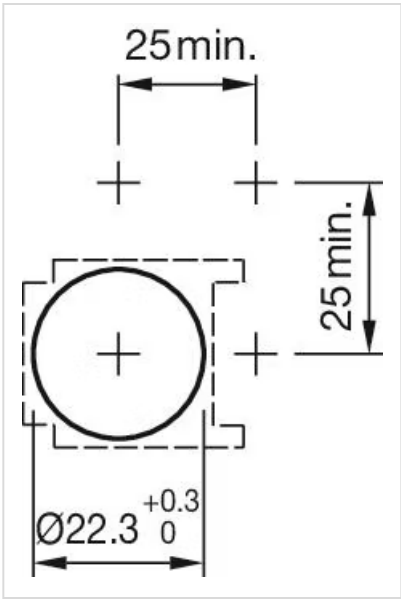
max. number of switching elements: 1

Short Description: Actuator, Ø 25 mm, 2 NC / 2 NO, Maintained (a) - Rest (a) - Momentary, Plug-in terminal, 2.8 x 0.5 mm, IP65, according to DIN EN 60529

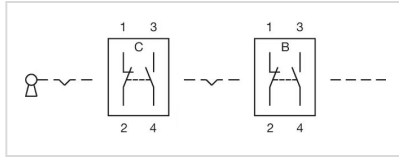
Switching positions:



Mounting cut-outs:



Wiring diagrams:



Dimension drawings:

