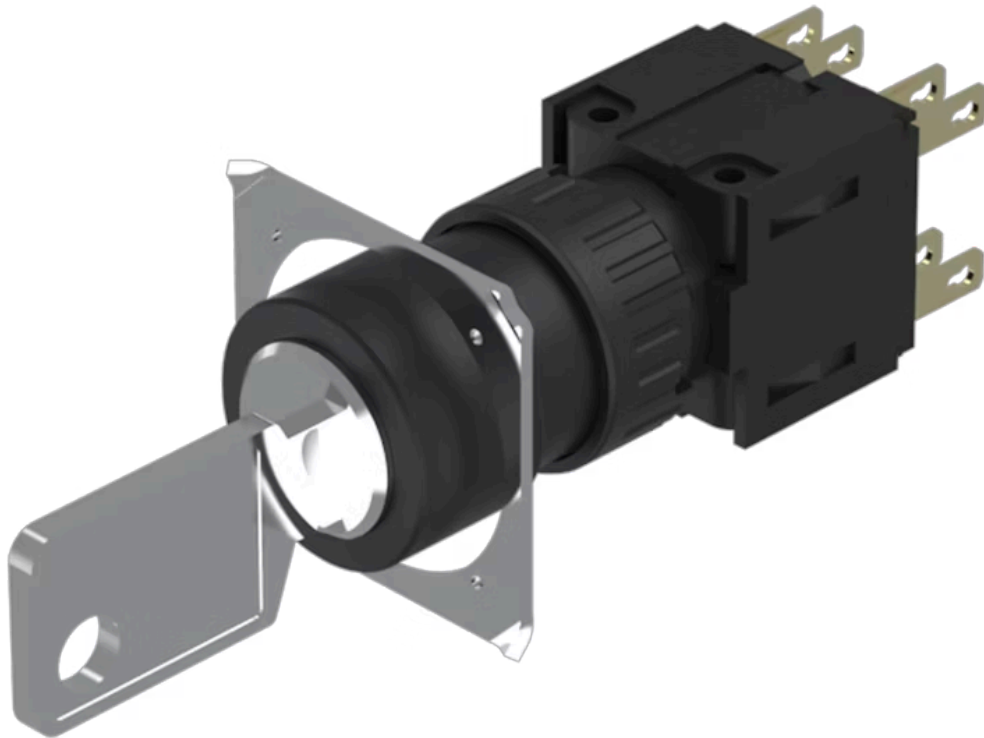


Actuator

51-
377.F22DF

Distribution by
DigiKey

DigiKey



<https://digikey.eao.com/p/51-377.F22DF>

Your product:



51-377.F22DF Actuator

MOUNTING

Mounting cut-out: Ø 25 mm

Design: flush

ELECTRICAL CHARACTERISTICS

Switching voltage and switching current: 250 VAC, 5 A ($\cos\phi$ 0.75)

Electrostatic discharge (ESD): ≤ 15 KV

Electric strength: 2500 VAC, 50 Hz, 1 min. between all terminals and earth, according to IEC 61058-1, part 15

Protection class: II

Thermal current I_{th}: 5 A, according to EN / IEC 60947-5-1

Contacts: 2 NC / 2 NO

MECHANICAL CHARACTERISTIC

Switching system: Snap-action switching element

Tightening torque: Fixing nut max. 0.5 Nm

Terminal: Plug-in terminal, 2.8 x 0.5 mm

Contact material: Gold

Mechanical lifetime: 50 000 cycles of operation

Switching positions: 3 positions

Wire cross section: Max. wire cross-section 2 wires with 1 mm
Max. wire cross-section of stranded cable 2 x 0.75 mm²

Switching action: Maintained - Rest (a) - Momentary

Weight: 0.027 kg

Switching system: Self-cleaning, double-break snap action switching system, 2 normally closed and 2 normally open contact per element.

Switching angle: 90° left / 42° right

AMBIENT CONDITION

IP front protection: IP65, according to DIN EN 60529

Storage temperature: – 40 °C ... + 85 °C

Operating temperature: – 25 °C ... + 55 °C

CERTIFICATE

Conformities: CE, UKCA, 2011 / 65 / EC (RoHS), 2014 / 30 / EU (EMC), 2014 / 35 / EU (LVD)

Approbations: CB (IEC 61058-1), CQC, CSA, DNV, ENEC (EN 61058-1), UL

OTHER

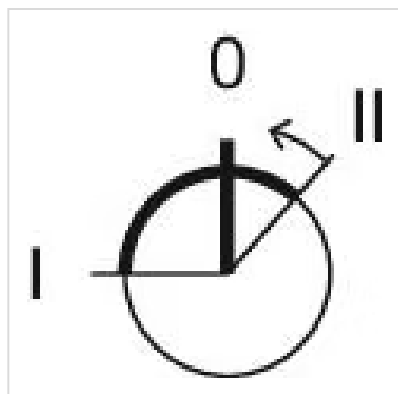
max. number of switching elements: 1

Hints: Standard lock: DOM 311

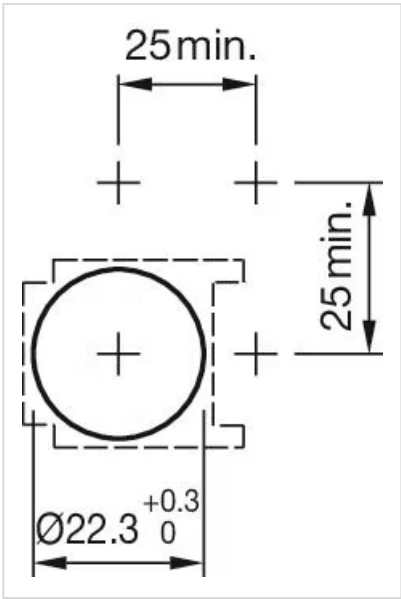
Short Description: Actuator, Ø 25 mm, 2 NC / 2 NO, Maintained - Rest (a) - Momentary, Plug-in terminal, 2.8 x 0.5 mm, IP65, according to DIN EN 60529

Housing colour: Black

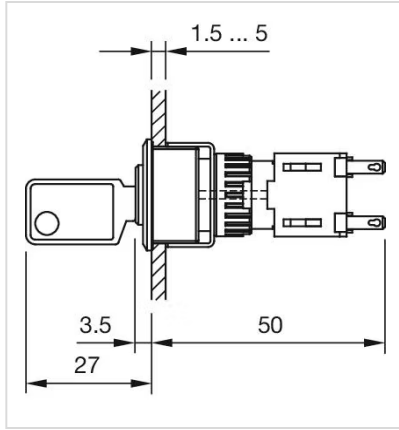
Switching positions:



Mounting cut-outs:



Dimension drawings:



Wiring diagrams:

