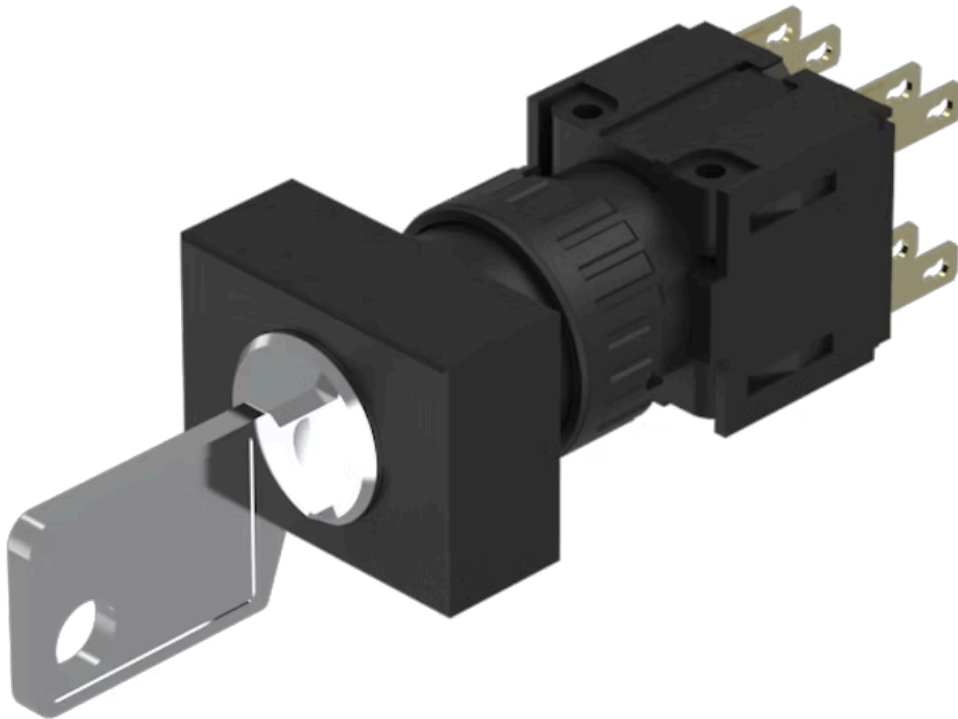


Actuator

51-
362.F22DF

Distribution by
DigiKey

DigiKey



<https://digikey.eao.com/p/51-362.F22DF>

Your product:



51-362.F22DF Actuator

FRONT

Front dimension: 24 mm x 18 mm

MOUNTING

Mounting cut-out: 21 mm x 27 mm

Design: flush

ELECTRICAL CHARACTERISTICS

Switching voltage and switching current: 250 VAC, 5 A ($\cos\phi$ 0.75)

Electric strength: 2500 VAC, 50 Hz, 1 min. between all terminals and earth, according to IEC 61058-1, part 15

Thermal current I_{th}: 5 A, according to EN / IEC 60947-5-1

Contacts: 2 NC / 2 NO

Standards: According to EN/IEC 61058-1

Protection class: II

Electrostatic discharge (ESD): ≤ 15 KV

MECHANICAL CHARACTERISTIC

Wire cross section: Max. wire cross-section 2 wires with 1 mm
Max. wire cross-section of stranded cable 2 x 0.75 mm²

Switching angle: 90° left / 90° right

Switching system: Snap-action switching element

Switching system: Self-cleaning, double-break snap action switching system, 2 normally closed and 2 normally open contact per element.

Switching positions: 3 positions

Tightening torque:	Fixing nut max. 0.5 Nm
Weight:	0.027 kg
Terminal:	Plug-in terminal, 2.8 x 0.5 mm
Contact material:	Gold
Switching action:	Maintained (a) - Rest (a) - Maintained (a)
Mechanical lifetime:	50 000 cycles of operation

AMBIENT CONDITION

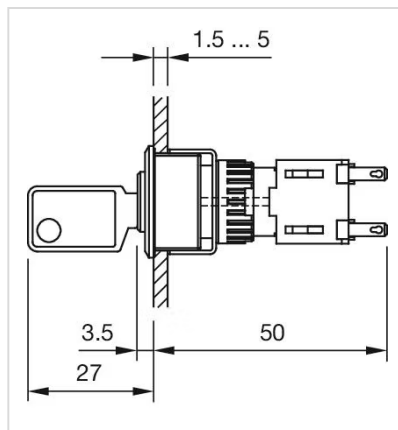
IP front protection:	IP65, according to DIN EN 60529
Storage temperature:	- 40 °C ... + 85 °C
Operating temperature:	- 25 °C ... + 55 °C

CERTIFICATE

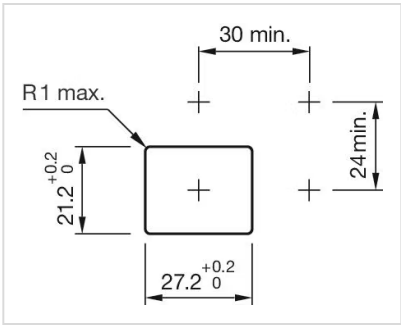
Approbations:	CB (IEC 61058-1), CQC, CSA, DNV, ENEC (EN 61058-1), UL
Conformities:	CE, UKCA, 2011 / 65 / EC (RoHS), 2014 / 30 / EU (EMC), 2014 / 35 / EU (LVD)

OTHER

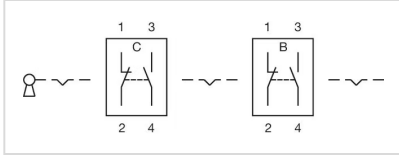
Hints:	Standard lock: DOM 311
Housing colour:	Black
Short Description:	Actuator, 21 mm x 27 mm, 24 mm x 18 mm, 2 NC / 2 NO, Maintained (a) - Rest (a) - Maintained (a), Plug-in terminal, 2.8 x 0.5 mm, IP65, according to DIN EN 60529
max. number of switching elements:	1
Dimension drawings:	



Mounting cut-outs:



Wiring diagrams:



Switching positions:

