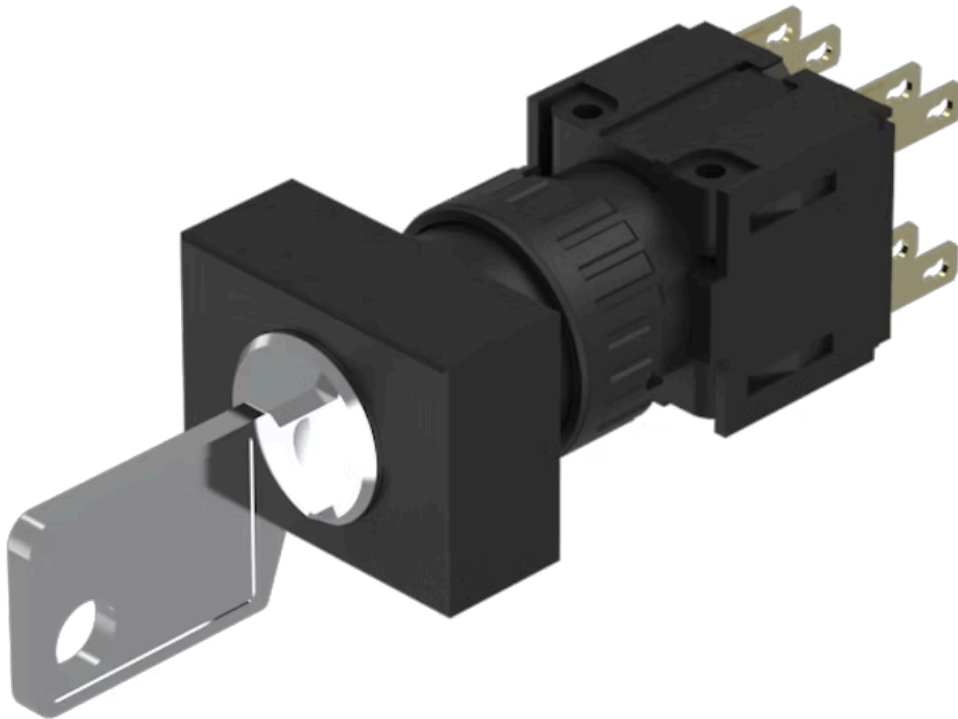


# Actuator

51-  
361.F22DF

Distribution by  
DigiKey

**DigiKey**



<https://digikey.eao.com/p/51-361.F22DF>

Your product:

---



## 51-361.F22DF Actuator

### FRONT

**Front dimension:** 24 mm x 18 mm

### MOUNTING

**Design:** flush

**Mounting cut-out:** 21 mm x 27 mm

### ELECTRICAL CHARACTERISTICS

**Electric strength:** 2500 VAC, 50 Hz, 1 min. between all terminals and earth, according to IEC 61058-1, part 15

**Thermal current I<sub>th</sub>:** 5 A, according to EN / IEC 60947-5-1

**Protection class:** II

**Switching voltage and switching current:** 250 VAC, 5 A (cosφ 0.75)

**Contacts:** 2 NC / 2 NO

**Electrostatic discharge (ESD):** ≤ 15 KV

**Standards:** According to EN/IEC 61058-1

### MECHANICAL CHARACTERISTIC

**Switching angle:** 90° left / 90° right

**Switching positions:** 3 positions

**Switching action:** Maintained - Rest (a) - Maintained

**Wire cross section:** Max. wire cross-section 2 wires with 1 mm  
Max. wire cross-section of stranded cable 2 x 0.75 mm<sup>2</sup>

**Weight:** 0.027 kg

<b>Switching system:</b>	Snap-action switching element
<b>Terminal:</b>	Plug-in terminal, 2.8 x 0.5 mm
<b>Contact material:</b>	Gold
<b>Mechanical lifetime:</b>	50 000 cycles of operation
<b>Switching system:</b>	Self-cleaning, double-break snap action switching system, 2 normally closed and 2 normally open contact per element.
<b>Tightening torque:</b>	Fixing nut max. 0.5 Nm

### AMBIENT CONDITION

<b>Storage temperature:</b>	- 40 °C ... + 85 °C
<b>IP front protection:</b>	IP65, according to DIN EN 60529
<b>Operating temperature:</b>	- 25 °C ... + 55 °C

### CERTIFICATE

<b>Approbations:</b>	CB (IEC 61058-1), CQC, CSA, DNV, ENEC (EN 61058-1), UL
<b>Conformities:</b>	CE, UKCA, 2011 / 65 / EC (RoHS), 2014 / 30 / EU (EMC), 2014 / 35 / EU (LVD)

### OTHER

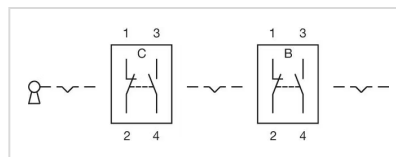
**Short Description:** Actuator, 21 mm x 27 mm, 24 mm x 18 mm, 2 NC / 2 NO, Maintained - Rest (a) - Maintained, Plug-in terminal, 2.8 x 0.5 mm, IP65, according to DIN EN 60529

**Hints:** Standard lock: DOM 311

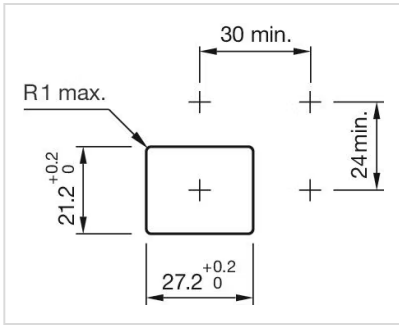
**Housing colour:** Black

**max. number of switching elements:** 1

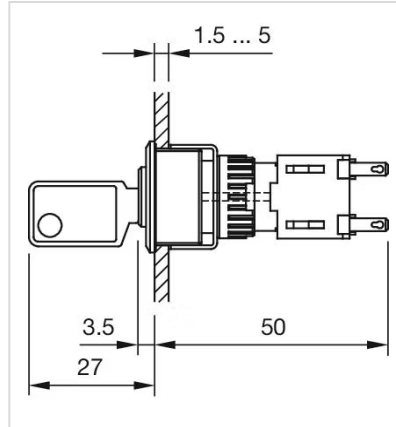
**Wiring diagrams:**



**Mounting cut-outs:**



**Dimension drawings:**



**Switching positions:**

