

# Actuator

51-  
259.0250

Distribution by  
DigiKey

**DigiKey**



<https://digikey.eao.com/component/51-259.0250...>

Your product:

---



## 51-259.0250 Actuator

*Loading ...*

### FRONT

**Front dimension:** Ø 24,5 mm

**Front form:** Round

### MOUNTING

**Design:** Raised

**Mounting type:** Panel mounting

### OPERATING-/INDICATION PART

**Lens colour:** Black

**Lens material:** Plastic

**Lens illumination:** Non illuminated

**Lens shape:** Mushroom-head

**Lens optics:** opaque

### ELECTRICAL CHARACTERISTICS

**Switching voltage and switching current:** 250 VAC, 5 A (ohmic)  
24 VDC, 2 A (inductive, L:R = 30 ms)

**Contacts:** 2 NC / 2 NO

**Switching rating:** 250 V @ 5 A

### MECHANICAL CHARACTERISTICS

**Terminal:** Soldering terminal

**Contact material:** Gold

|                             |  |
|-----------------------------|--|
| <b>Switching action:</b>    | Maintained   |
| <b>Switching system:</b>    | Snap-action switching element  |
| <b>Switching system:</b>    | Self-cleaning, double-break snap action switching system, 1 normally closed and 1 normally open contact per element. |
| <b>Release type:</b>        | Twist to unlock  |
| <b>Mechanical lifetime:</b> | 100 000 cycles of operation  |
| <b>Operating force:</b>     | 18 ... 21 N (depending on the switching element)   |
| <b>Tightening torque:</b>   | Fixing nut max. 0.5 Nm   |
| <b>Weight:</b>              | 0.011 kg   |

### AMBIENT CONDITION

|                               |                                 |
|-------------------------------|---------------------------------|
| <b>IP front protection:</b>   | IP65, according to DIN EN 60529 |
| <b>Operating temperature:</b> | - 25 °C ... + 55 °C             |
| <b>Storage temperature:</b>   | - 40 °C ... + 85 °C             |

### CERTIFICATE

|                      |  |
|----------------------|--|
| <b>Approbations:</b> | CB (IEC 61058-1), CSA, ENEC (EN 61058-1), UL         |
| <b>Conformities:</b> | CE, UKCA, 2006 / 42 / EC (MD), 2011 / 65 / EC (RoHS) |
| <b>REACH:</b>        | REACH compliant                                      |
| <b>RoHS:</b>         | RoHS compliant                                       |

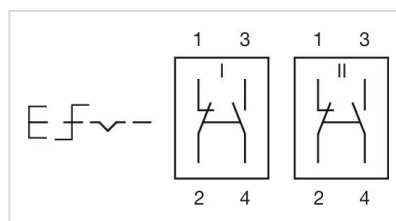
### OTHER

**Short Description:** Actuator, Ø 24,5 mm, Mushroom-head, Non illuminated, Black, Plastic, opaque, Round, 2 NC / 2 NO, Maintained, Soldering terminal, IP65, according to DIN EN 60529, Twist to unlock

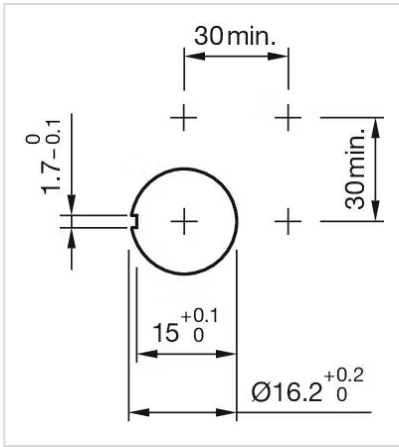
**Housing colour:** Black

**Hints:** Marking arrows

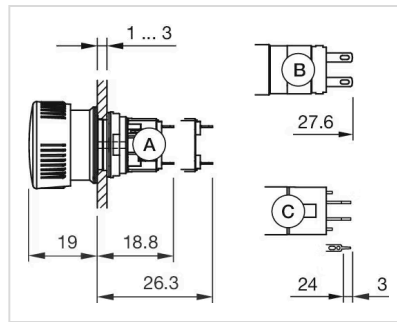
**Wiring diagrams:**



**Mounting cut-outs:**



**Dimension drawings:**



- A = Solder terminal
- B = Plug-in terminal 2.8 mm x 0.5 mm
- C = Universal terminal 2.0 mm x 0.5 mm