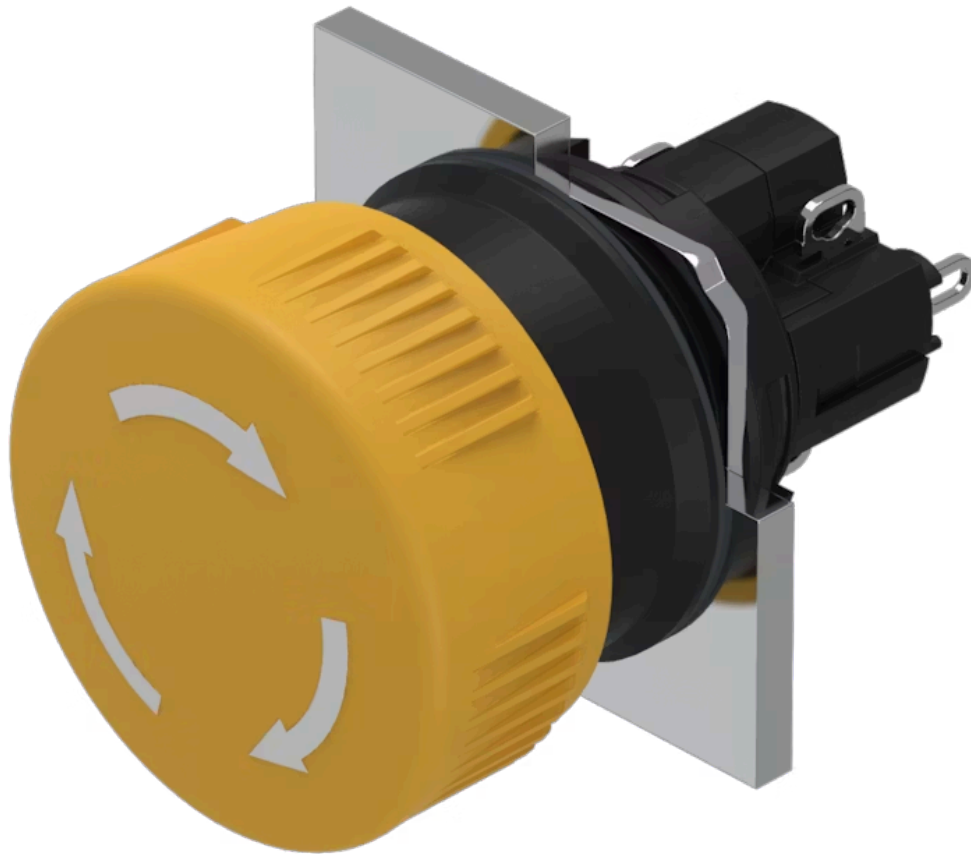


Actuator

51-
256.0254

Distribution by
DigiKey

DigiKey



<https://digikey.eao.com/component/51-256.0254...>

Your product:



51-256.0254 Actuator

Loading ...

FRONT

Front dimension: Ø 24,5 mm

Front form: Round

MOUNTING

Design: Raised

Mounting type: Panel mounting

OPERATING-/INDICATION PART

Lens colour: Yellow

Lens material: Plastic

Lens illumination: Non illuminated

Lens shape: Mushroom-head

Lens optics: opaque

ELECTRICAL CHARACTERISTICS

Switching voltage and switching current: 250 VAC, 5 A (ohmic)
24 VDC, 2 A (inductive, L:R = 30 ms)

Contacts: 1 NC / 1 NO

Switching rating: 250 V @ 5 A

MECHANICAL CHARACTERISTICS

Terminal: Soldering terminal

Contact material: Gold

Switching action:	Maintained
Switching system:	Snap-action switching element
Switching system:	Self-cleaning, double-break snap action switching system, 1 normally closed and 1 normally open contact per element.
Release type:	Twist to unlock
Mechanical lifetime:	100 000 cycles of operation
Operating force:	18 ... 21 N (depending on the switching element)
Tightening torque:	Fixing nut max. 0.5 Nm
Weight:	0.014 kg

AMBIENT CONDITION

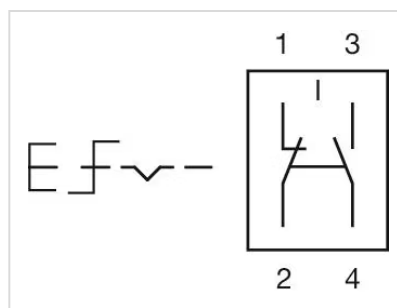
IP front protection:	IP65, according to DIN EN 60529
Operating temperature:	- 25 °C ... + 55 °C
Storage temperature:	- 40 °C ... + 85 °C

CERTIFICATE

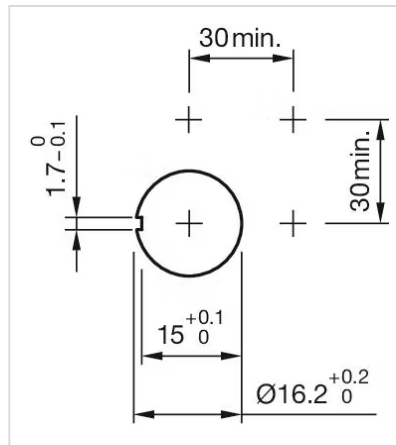
Approbations:	CB (IEC 61058-1), CSA, ENEC (EN 61058-1), UL
Conformities:	CE, UKCA, 2006 / 42 / EC (MD), 2011 / 65 / EC (RoHS)
REACH:	REACH compliant
RoHS:	RoHS compliant

OTHER

Short Description:	Actuator, Ø 24,5 mm, Mushroom-head, Non illuminated, Yellow, Plastic, opaque, Round, 1 NC / 1 NO, Maintained, Soldering terminal, IP65, according to DIN EN 60529, Twist to unlock
Housing colour:	Black
Hints:	Marking arrows
Wiring diagrams:	



Mounting cut-outs:



Dimension drawings:



- A = Solder terminal
- B = Plug-in terminal $2.8\text{ mm} \times 0.5\text{ mm}$
- C = Universal terminal $2.0\text{ mm} \times 0.5\text{ mm}$