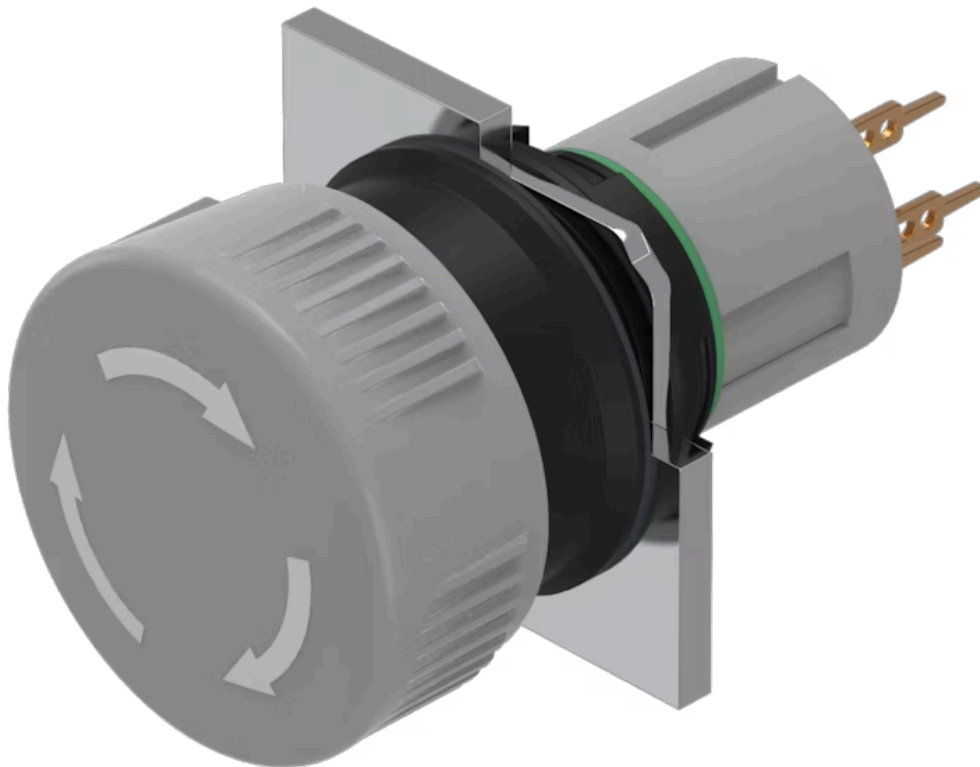


Actuator

51-
253.0268

Distribution by
DigiKey

DigiKey



<https://digikey.eao.com/p/51-253.0268>

Your product:



51-253.0268 Actuator

FRONT

Front dimension: Ø 24,5 mm

MOUNTING

Design: raised

OPERATING-/INDICATION PART

Lens colour: Grey

Lens optics: opaque

Lens illumination: non illuminative

Lens material: Plastic

Lens shape: mushroom-head

ELECTRICAL CHARACTERISTICS

Switching voltage and switching current: 100 mA at 42 VAC/VDC

Contacts: 1 NC / 1 NO

MECHANICAL CHARACTERISTIC

Switching system: Low-level element

Switching action: Maintained

Mechanical lifetime: 1 Mio. cycles of operation

Operating Travel: 3 mm

Weight: 0.011 kg

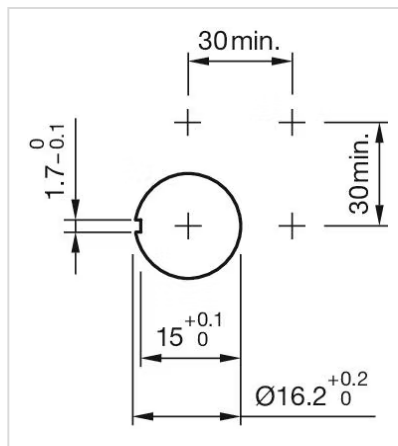
| | |
|---------------------------|--|
| Contact material: | Gold |
| Tightening torque: | Fixing nut max. 0.5 Nm |
| Switching system: | This low-level switching element was designed for switching low powers in electronic circuits. The mechanism assures reliable switching of loads ranging from a few $\mu\text{A}/\mu\text{V}$ up to 100 mA/ 42 VAC/DC. Single-break momentary contact, as normally open or normally closed with 4 independent points of contact. 2 momentary contacts per switching element; combination of normally open and normally closed is possible. Special features are the long life, extremely short rebound time and stable contact resistance. |
| Operating force: | 1,8 ... 3,5 N |
| Terminal: | Universal terminal, 2 x 0.5 mm |

AMBIENT CONDITION

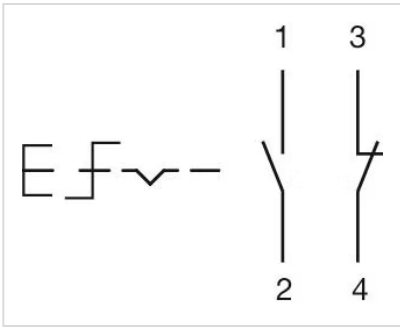
| | |
|-------------------------------|---------------------------------|
| IP front protection: | IP65, according to DIN EN 60529 |
| Storage temperature: | - 40 °C ... + 85 °C |
| Operating temperature: | - 25 °C ... + 55 °C |

OTHER

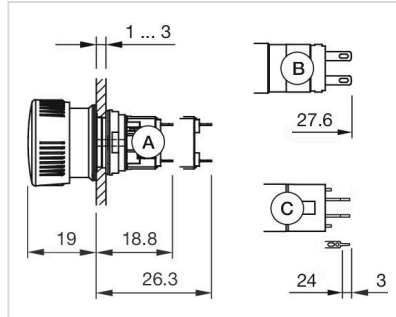
| | |
|---------------------------|---|
| Housing colour: | Black |
| Hints: | Marking arrows |
| Short Description: | Actuator, \varnothing 24,5 mm, mushroom-head, non illuminative, Grey, Plastic, opaque, 1 NC / 1 NO, Maintained, Universal terminal, 2 x 0.5 mm, IP65, according to DIN EN 60529 |
| Mounting cut-outs: | |



Wiring diagrams:



Dimension drawings:



- A = Solder terminal
- B = Plug-in terminal 2.8 mm x 0.5 mm
- C = Universal terminal 2.0 mm x 0.5 mm