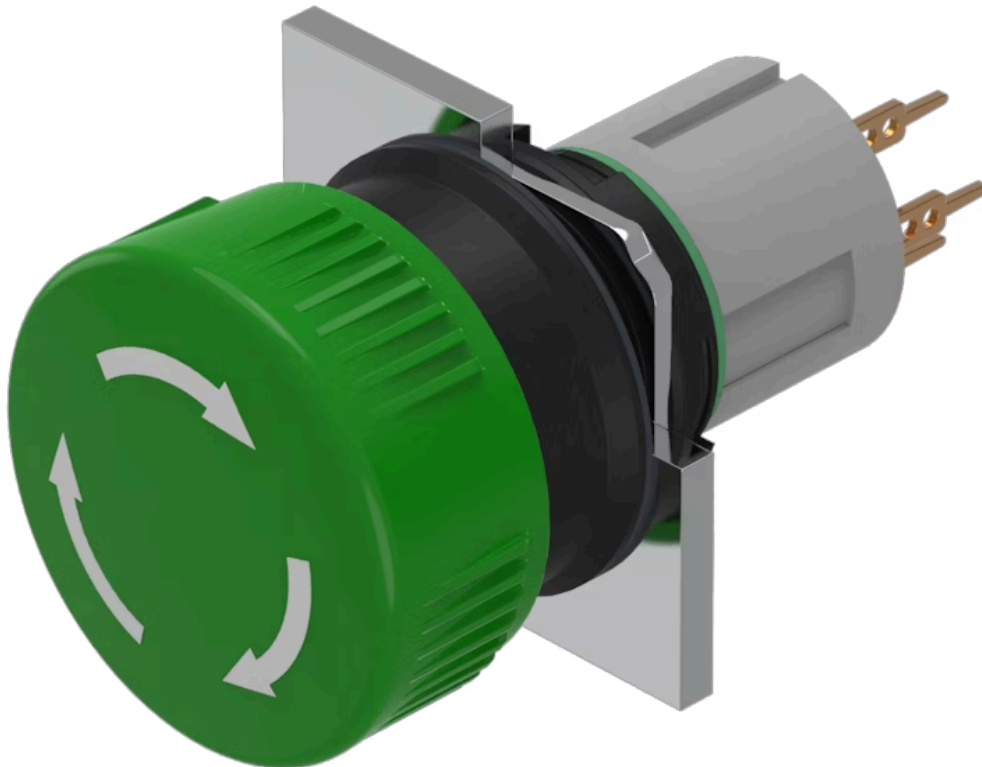


# Actuator

51-  
253.0265

Distribution by  
DigiKey

**DigiKey**



<https://digikey.eao.com/p/51-253.0265>

Your product:

---



## 51-253.0265 Actuator

### FRONT

**Front dimension:** Ø 24,5 mm

### MOUNTING

**Design:** raised

### OPERATING-/INDICATION PART

**Lens colour:** Green

**Lens shape:** mushroom-head

**Lens material:** Plastic

**Lens optics:** opaque

**Lens illumination:** non illuminative

### ELECTRICAL CHARACTERISTICS

**Contacts:** 1 NC / 1 NO

**Switching voltage and switching current:** 100 mA at 42 VAC/VDC

### MECHANICAL CHARACTERISTIC

**Switching action:** Maintained

**Tightening torque:** Fixing nut max. 0.5 Nm

**Operating force:** 1,8 ... 3,5 N

**Operating Travel:** 3 mm

**Switching system:** This low-level switching element was designed for switching low powers in electronic circuits. The mechanism assures reliable switching of loads ranging from

a few  $\mu\text{A}/\mu\text{V}$  up to 100 mA/ 42 VAC/DC.

Single-break momentary contact, as normally open or normally closed with 4 independent points of contact. 2 momentary contacts per switching element; combination of normally open and normally closed is possible.

Special features are the long life, extremely short rebound time and stable contact resistance.

<b>Switching system:</b>	Low-level element
<b>Contact material:</b>	Gold
<b>Terminal:</b>	Universal terminal, 2 x 0.5 mm
<b>Mechanical lifetime:</b>	1 Mio. cycles of operation
<b>Weight:</b>	0.011 kg

### AMBIENT CONDITION

<b>Storage temperature:</b>	- 40 °C ... + 85 °C
<b>Operating temperature:</b>	- 25 °C ... + 55 °C
<b>IP front protection:</b>	IP65, according to DIN EN 60529

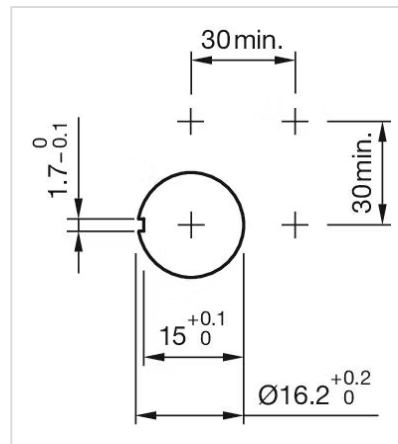
### OTHER

**Hints:** Marking arrows

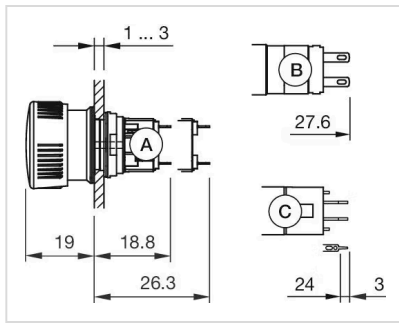
**Short Description:** Actuator,  $\varnothing$  24,5 mm, mushroom-head, non illuminative, Green, Plastic, opaque, 1 NC / 1 NO, Maintained, Universal terminal, 2 x 0.5 mm, IP65, according to DIN EN 60529

**Housing colour:** Black

**Mounting cut-outs:**



**Dimension drawings:**



A = Solder terminal  
 B = Plug-in terminal 2.8 mm x 0.5 mm  
 C = Universal terminal 2.0 mm x 0.5 mm

**Wiring diagrams:**

