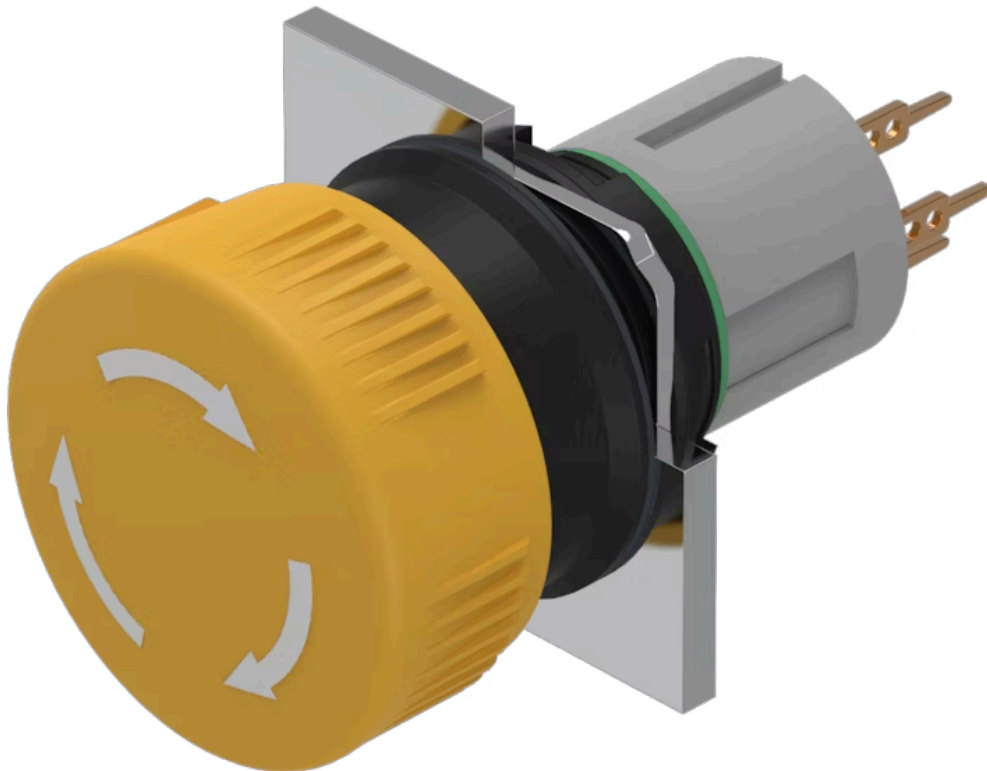


Actuator

51-
253.0264

Distribution by
DigiKey

DigiKey



<https://digikey.eao.com/p/51-253.0264>

Your product:



51-253.0264 Actuator

FRONT

Front dimension: Ø 24,5 mm

MOUNTING

Design: raised

OPERATING-/INDICATION PART

Lens optics: opaque

Lens illumination: non illuminative

Lens colour: Yellow

Lens material: Plastic

Lens shape: mushroom-head

ELECTRICAL CHARACTERISTICS

Switching voltage and switching current: 100 mA at 42 VAC/VDC

Contacts: 1 NC / 1 NO

MECHANICAL CHARACTERISTIC

Terminal: Universal terminal, 2 x 0.5 mm

Mechanical lifetime: 1 Mio. cycles of operation

Operating Travel: 3 mm

Switching action: Maintained

Switching system: This low-level switching element was designed for switching low powers in electronic circuits. The mechanism assures reliable switching of loads ranging from

a few $\mu\text{A}/\mu\text{V}$ up to 100 mA/ 42 VAC/DC.

Single-break momentary contact, as normally open or normally closed with 4 independent points of contact. 2 momentary contacts per switching element; combination of normally open and normally closed is possible.

Special features are the long life, extremely short rebound time and stable contact resistance.

Operating force:	1,8 ... 3,5 N
Tightening torque:	Fixing nut max. 0.5 Nm
Weight:	0.011 kg
Contact material:	Gold
Switching system:	Low-level element

AMBIENT CONDITION

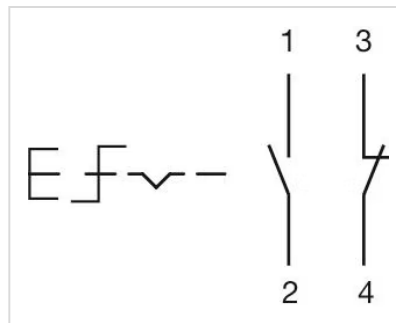
Storage temperature:	- 40 °C ... + 85 °C
IP front protection:	IP65, according to DIN EN 60529
Operating temperature:	- 25 °C ... + 55 °C

OTHER

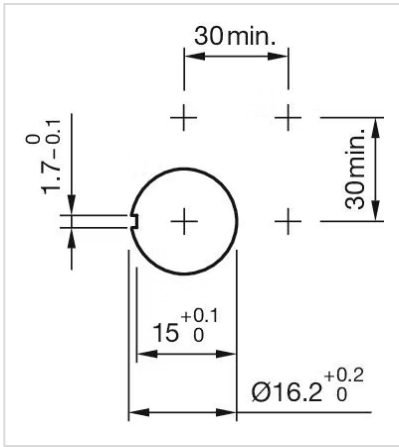
Hints:	Marking arrows
Housing colour:	Black

Short Description: Actuator, \varnothing 24,5 mm, mushroom-head, non illuminative, Yellow, Plastic, opaque, 1 NC / 1 NO, Maintained, Universal terminal, 2 x 0.5 mm, IP65, according to DIN EN 60529

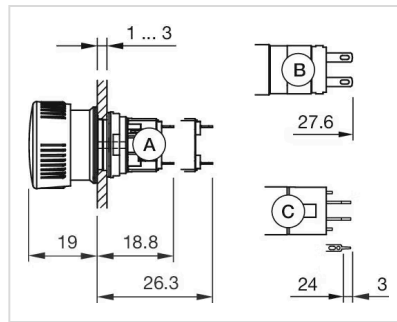
Wiring diagrams:



Mounting cut-outs:



Dimension drawings:



- A = Solder terminal
- B = Plug-in terminal 2.8 mm x 0.5 mm
- C = Universal terminal 2.0 mm x 0.5 mm