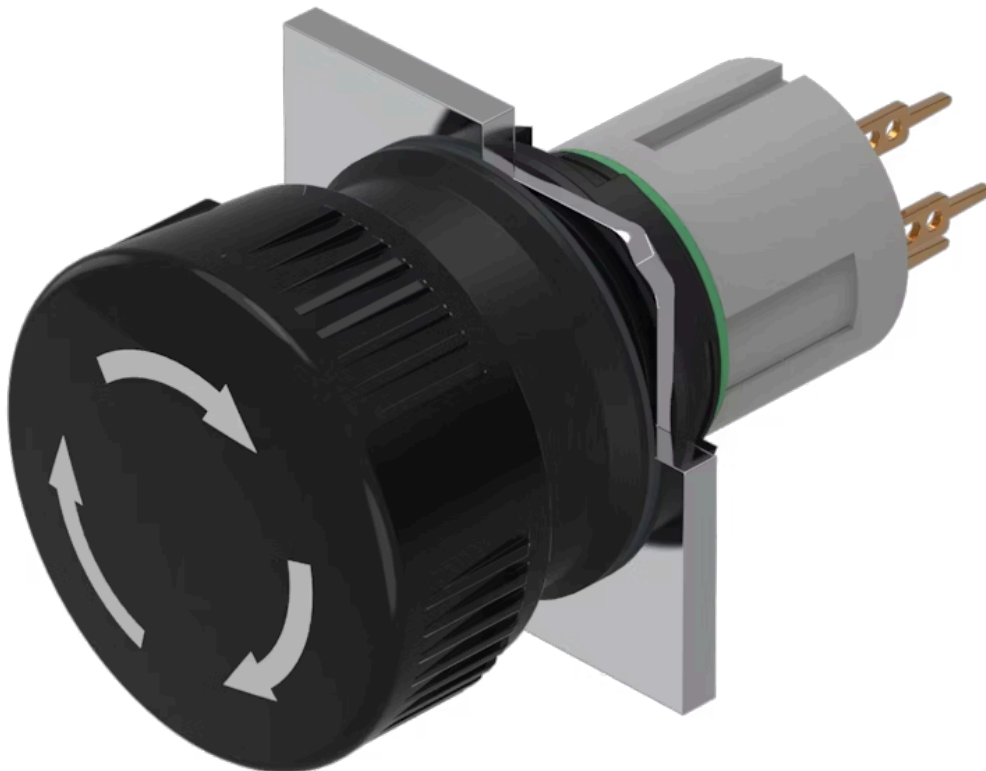


Actuator

51-
253.0260

Distribution by
DigiKey

DigiKey



<https://digikey.eao.com/p/51-253.0260>

Your product:



51-253.0260 Actuator

FRONT

Front dimension: Ø 24,5 mm

MOUNTING

Design: raised

OPERATING-/INDICATION PART

Lens material: Plastic

Lens optics: opaque

Lens colour: Black

Lens illumination: non illuminative

Lens shape: mushroom-head

ELECTRICAL CHARACTERISTICS

Contacts: 1 NC / 1 NO

Switching voltage and switching current: 100 mA at 42 VAC/VDC

MECHANICAL CHARACTERISTIC

Contact material: Gold

Switching system: This low-level switching element was designed for switching low powers in electronic circuits. The mechanism assures reliable switching of loads ranging from a few $\mu\text{A}/\mu\text{V}$ up to 100 mA/ 42 VAC/DC. Single-break momentary contact, as normally open or normally closed with 4 independent points of contact. 2 momentary contacts per switching element; combination of normally open and normally closed is possible. Special features are the long life, extremely short rebound time and stable contact resistance.

Mechanical lifetime:	1 Mio. cycles of operation
Weight:	0.011 kg
Switching system:	Low-level element
Operating force:	1,8 ... 3,5 N
Switching action:	Maintained
Terminal:	Universal terminal, 2 x 0.5 mm
Tightening torque:	Fixing nut max. 0.5 Nm
Operating Travel:	3 mm

AMBIENT CONDITION

Operating temperature:	- 25 °C ... + 55 °C
Storage temperature:	- 40 °C ... + 85 °C
IP front protection:	IP65, according to DIN EN 60529

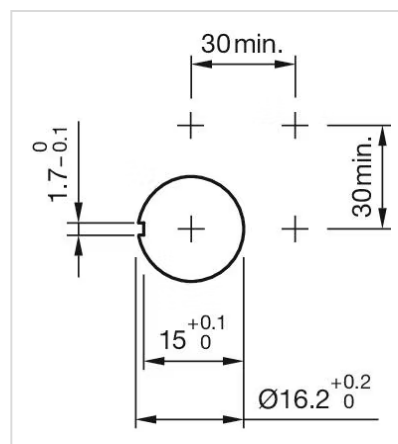
OTHER

Short Description: Actuator, Ø 24,5 mm, mushroom-head, non illuminative, Black, Plastic, opaque, 1 NC / 1 NO, Maintained, Universal terminal, 2 x 0.5 mm, IP65, according to DIN EN 60529

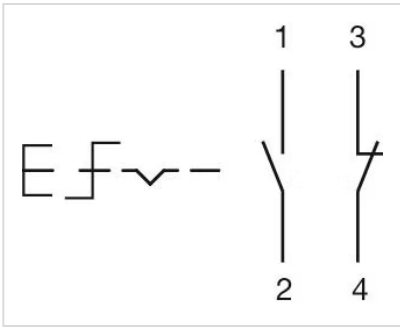
Housing colour: Black

Hints: Marking arrows

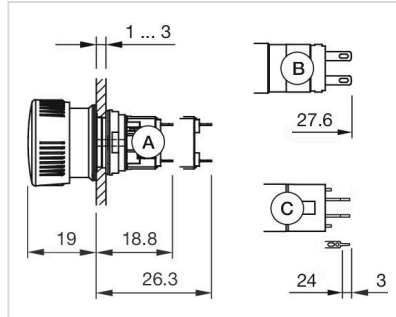
Mounting cut-outs:



Wiring diagrams:



Dimension drawings:



- A = Solder terminal
- B = Plug-in terminal 2.8 mm x 0.5 mm
- C = Universal terminal 2.0 mm x 0.5 mm