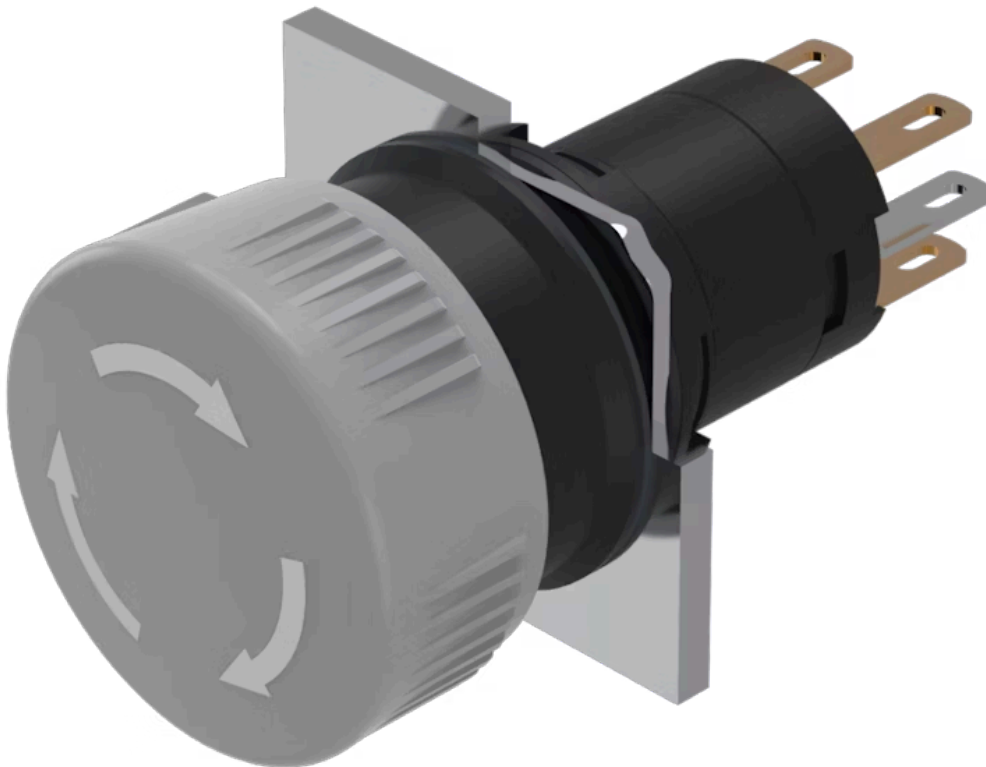


# Actuator

51-  
253.0228

Distribution by  
DigiKey

**DigiKey**



<https://digikey.eao.com/p/51-253.0228>

Your product:

---



## 51-253.0228 Actuator

### FRONT

**Front dimension:** Ø 24,5 mm

### MOUNTING

**Design:** raised

### OPERATING-/INDICATION PART

**Lens shape:** mushroom-head

**Lens illumination:** non illuminative

**Lens material:** Plastic

**Lens colour:** Grey

**Lens optics:** opaque

### ELECTRICAL CHARACTERISTICS

**Contacts:** 1 NC / 1 NO

**Switching voltage and switching current:** 250 VAC, 5 A (ohmic)  
24 VDC, 2 A (inductive, L:R = 30 ms)

### MECHANICAL CHARACTERISTIC

**Mechanical lifetime:** 100 000 cycles of operation

**Switching action:** Maintained

**Switching system:** Snap-action switching element

**Switching system:** Self-cleaning, double-break snap action switching system, 1 normally closed and 1 normally open contact per element.

**Operating force:** 18 ... 21 N (depending on the switching element)

**Weight:** 0.011 kg

**Tightening torque:** Fixing nut max. 0.5 Nm

**Contact material:** Gold

**Terminal:** Plug-in terminal, 2.8 x 0.5 mm

### AMBIENT CONDITION

**Storage temperature:** - 40 °C ... + 85 °C

**Operating temperature:** - 25 °C ... + 55 °C

**IP front protection:** IP65, according to DIN EN 60529

### CERTIFICATE

**Approbations:** CB (IEC 61058-1), CSA, ENEC (EN 61058-1), UL

**Conformities:** CE, UKCA, 2006 / 42 / EC (MD), 2011 / 65 / EC (RoHS)

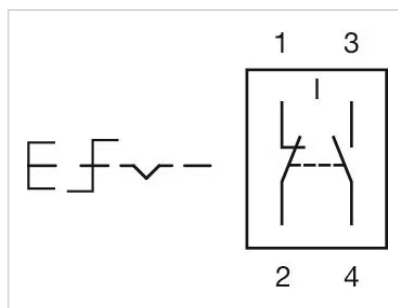
### OTHER

**Short Description:** Actuator, Ø 24,5 mm, mushroom-head, non illuminative, Grey, Plastic, opaque, 1 NC / 1 NO, Maintained, Plug-in terminal, 2.8 x 0.5 mm, IP65, according to DIN EN 60529

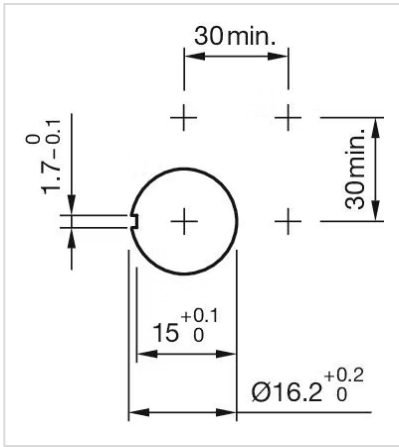
**Hints:** Marking arrows

**Housing colour:** Black

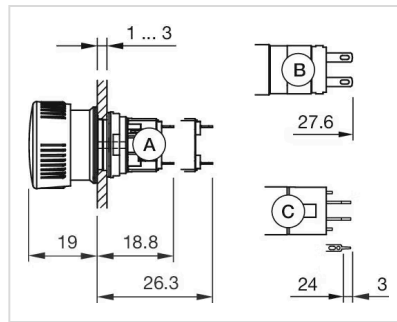
**Wiring diagrams:**



**Mounting cut-outs:**



**Dimension drawings:**



- A = Solder terminal
- B = Plug-in terminal 2.8 mm x 0.5 mm
- C = Universal terminal 2.0 mm x 0.5 mm