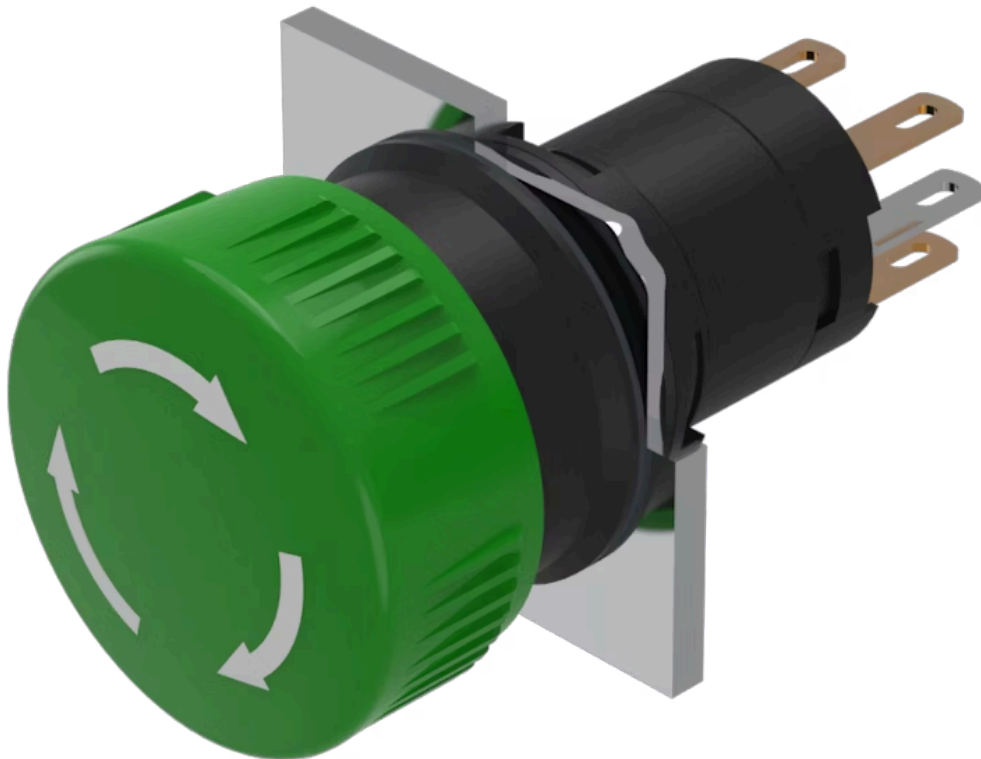


Actuator

51-
253.0225

Distribution by
DigiKey

DigiKey



<https://digikey.eao.com/p/51-253.0225>

Your product:



51-253.0225 Actuator

FRONT

Front dimension: Ø 24,5 mm

MOUNTING

Design: raised

OPERATING-/INDICATION PART

Lens optics: opaque

Lens shape: mushroom-head

Lens colour: Green

Lens material: Plastic

Lens illumination: non illuminative

ELECTRICAL CHARACTERISTICS

Switching voltage and switching current: 250 VAC, 5 A (ohmic)
24 VDC, 2 A (inductive, L:R = 30 ms)

Contacts: 1 NC / 1 NO

MECHANICAL CHARACTERISTIC

Switching system: Snap-action switching element

Tightening torque: Fixing nut max. 0.5 Nm

Mechanical lifetime: 100 000 cycles of operation

Switching system: Self-cleaning, double-break snap action switching system, 1 normally closed and 1 normally open contact per element.

Switching action:	Maintained
Contact material:	Gold
Terminal:	Plug-in terminal, 2.8 x 0.5 mm
Weight:	0.011 kg
Operating force:	18 ... 21 N (depending on the switching element)

AMBIENT CONDITION

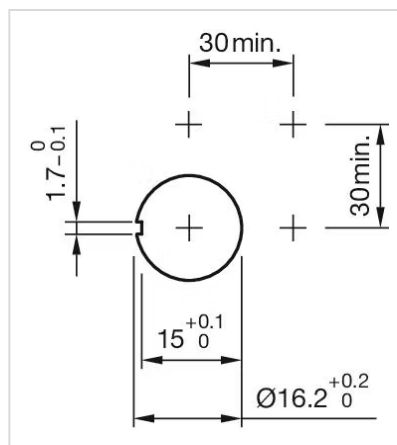
Storage temperature:	- 40 °C ... + 85 °C
IP front protection:	IP65, according to DIN EN 60529
Operating temperature:	- 25 °C ... + 55 °C

CERTIFICATE

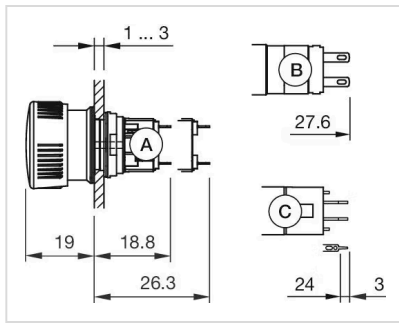
Approbations:	CB (IEC 61058-1), CSA, ENEC (EN 61058-1), UL
Conformities:	CE, UKCA, 2006 / 42 / EC (MD), 2011 / 65 / EC (RoHS)

OTHER

Housing colour:	Black
Short Description:	Actuator, Ø 24,5 mm, mushroom-head, non illuminative, Green, Plastic, opaque, 1 NC / 1 NO, Maintained, Plug-in terminal, 2.8 x 0.5 mm, IP65, according to DIN EN 60529
Hints:	Marking arrows
Mounting cut-outs:	



Dimension drawings:



A = Solder terminal
 B = Plug-in terminal 2.8 mm x 0.5 mm
 C = Universal terminal 2.0 mm x 0.5 mm

Wiring diagrams:

