

# Actuator

51-  
253.0220

Distribution by  
DigiKey

**DigiKey**



<https://digikey.eao.com/p/51-253.0220>

Your product:

---



## 51-253.0220 Actuator

*Loading ..*

### FRONT

**Front dimension:** Ø 24,5 mm

### MOUNTING

**Design:** raised

### OPERATING-/INDICATION PART

**Lens material:** Plastic

**Lens colour:** Black

**Lens shape:** mushroom-head

**Lens illumination:** non illuminative

**Lens optics:** opaque

### ELECTRICAL CHARACTERISTICS

**Contacts:** 1 NC / 1 NO

**Switching voltage and switching current:** 250 VAC, 5 A (ohmic)  
24 VDC, 2 A (inductive, L:R = 30 ms)

### MECHANICAL CHARACTERISTIC

**Weight:** 0.011 kg

**Terminal:** Plug-in terminal, 2.8 x 0.5 mm

**Switching system:** Snap-action switching element

**Operating force:** 18 ... 21 N (depending on the switching element)

**Mechanical lifetime:** 100 000 cycles of operation

<b>Switching system:</b>	Self-cleaning, double-break snap action switching system, 1 normally closed and 1 normally open contact per element.
<b>Tightening torque:</b>	Fixing nut max. 0.5 Nm
<b>Switching action:</b>	Maintained
<b>Contact material:</b>	Gold

### AMBIENT CONDITION

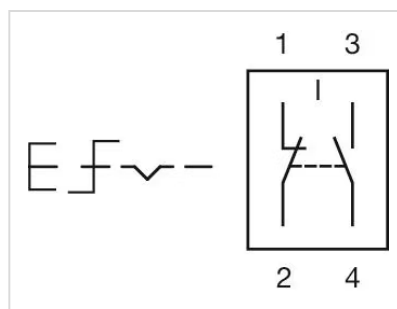
<b>IP front protection:</b>	IP65, according to DIN EN 60529
<b>Operating temperature:</b>	- 25 °C ... + 55 °C
<b>Storage temperature:</b>	- 40 °C ... + 85 °C

### CERTIFICATE

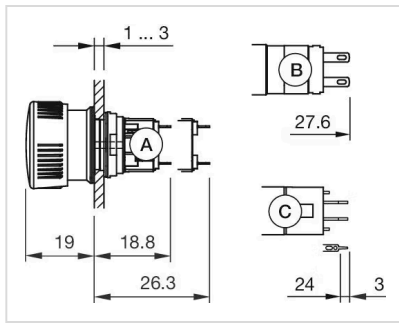
<b>Approbations:</b>	CB (IEC 61058-1), CSA, ENEC (EN 61058-1), UL
<b>Conformities:</b>	CE, UKCA, 2006 / 42 / EC (MD), 2011 / 65 / EC (RoHS)

### OTHER

<b>Housing colour:</b>	Black
<b>Hints:</b>	Marking arrows
<b>Short Description:</b>	Actuator, Ø 24,5 mm, mushroom-head, non illuminative, Black, Plastic, opaque, 1 NC / 1 NO, Maintained, Plug-in terminal, 2.8 x 0.5 mm, IP65, according to DIN EN 60529
<b>Wiring diagrams:</b>	



**Dimension drawings:**



A = Solder terminal  
 B = Plug-in terminal 2.8 mm x 0.5 mm  
 C = Universal terminal 2.0 mm x 0.5 mm

**Mounting cut-outs:**

