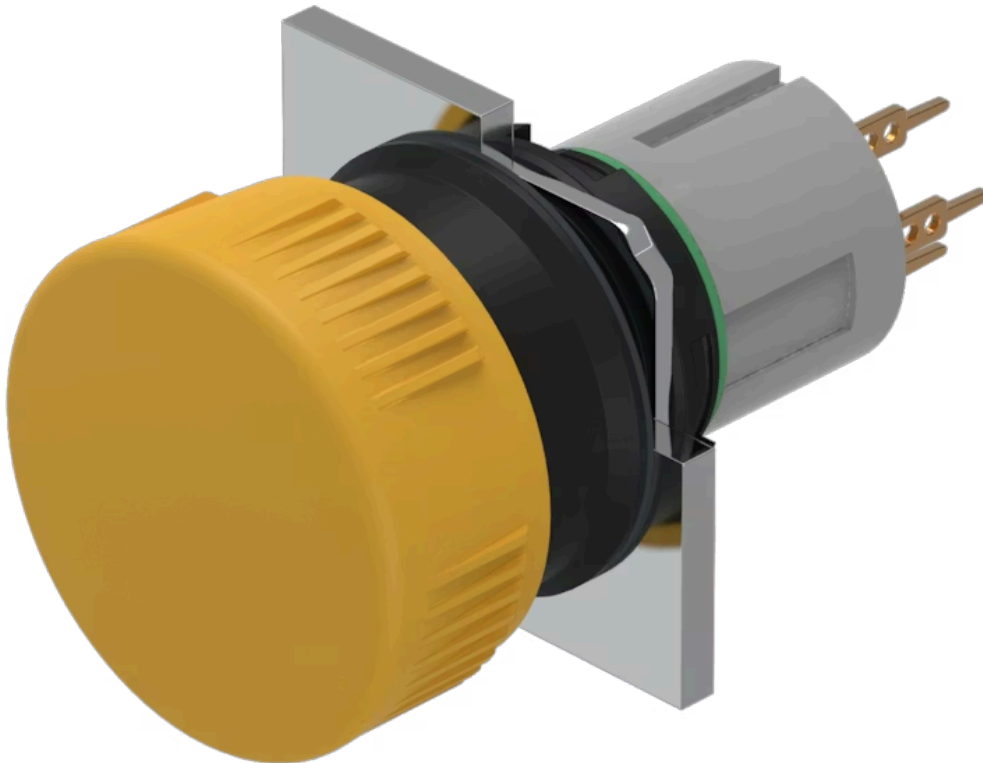


Actuator

51-
156.0264

Distribution by
DigiKey

DigiKey



<https://digikey.eao.com/component/51-156.0264...>

Your product:



51-156.0264 Actuator

Loading . . .

FRONT

| | |
|------------------------------|-----------|
| Front dimension: | Ø 24,5 mm |
| Front form: | Round |
| Front bezel colour: | Black |
| Front bezel material: | Plastic |

MOUNTING

| | |
|-----------------------|----------------|
| Design: | Raised |
| Mounting type: | Panel mounting |

OPERATING-/INDICATION PART

| | |
|---------------------------|-----------------|
| Lens colour: | Yellow |
| Lens material: | Plastic |
| Lens illumination: | Non illuminated |
| Lens shape: | Mushroom-head |
| Lens optics: | opaque |

ELECTRICAL CHARACTERISTICS

| | |
|---|--|
| Switching voltage and switching current: | 100 mA at 42 VAC/VDC |
| Contacts: | 1 NC |
| Switching rating: | 42 V @ 0,1 A |
| Electric strength: | 2500 VAC, 50 Hz, 1 min. between all terminals and earth, according to IEC 61058-1, part 15 |

MECHANICAL CHARACTERISTICS

| | |
|-----------------------------|--|
| Terminal: | Universal terminal, 2 x 0.5 mm |
| Contact material: | Gold |
| Switching action: | Momentary |
| Switching system: | Low-level element |
| Switching system: | <p>This low-level switching element was designed for switching low powers in electronic circuits. The mechanism assures reliable switching of loads ranging from a few $\mu\text{A}/\mu\text{V}$ up to 100 mA/ 42 VAC/DC.</p> <p>Single-break momentary contact, as normally open or normally closed with 4 independent points of contact. 2 momentary contacts per switching element; combination of normally open and normally closed is possible.</p> <p>Special features are the long life, extremely short rebound time and stable contact resistance.</p> |
| Mechanical lifetime: | 5 Mil. cycles of operation |
| Operating force: | 1,8 ... 3,5 N |
| Operating Travel: | 3 mm |
| Tightening torque: | Fixing nut max. 0.5 Nm |
| Terminal details 1: | <p>The universal terminals permit these units to be mounted on printed circuit boards (PCB). These terminals can also be used as soldering or plug-in terminals.</p> <p>For these terminals we can also supply a plug-in base which, when soldered on to the board, enables the switch to be plugged in.</p> |
| Weight: | 0.014 kg |

AMBIENT CONDITION

| | |
|-------------------------------|--|
| IP front protection: | IP65, according to DIN EN 60529 |
| Operating temperature: | - 25 °C ... + 55 °C |
| Storage temperature: | - 40 °C ... + 85 °C |
| Shock resistance: | 15 g for 11 ms, as per DIN / EN 60512-4-3, DIN / EN 60068-2-27 (Single impacts, semi-sinusoidal) |

CERTIFICATE

| | |
|---------------|-----------------|
| REACH: | REACH compliant |
| RoHS: | RoHS compliant |

OTHER

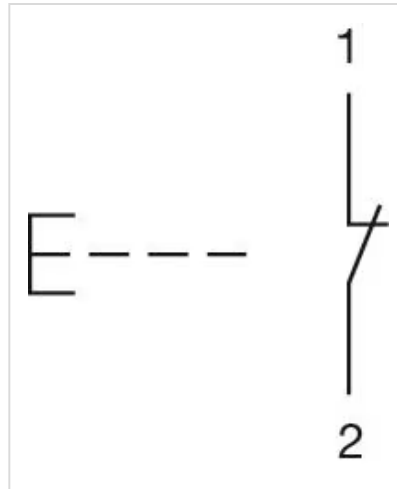
| | |
|---------------------------|---|
| Short Description: | Actuator, Ø 24,5 mm, Mushroom-head, Non illuminated, Yellow, Plastic, opaque, Round, Black, Plastic, 1 NC, Momentary, Universal terminal, 2 x 0.5 mm, IP65, according to DIN EN 60529 |
| Housing colour: | |

Black

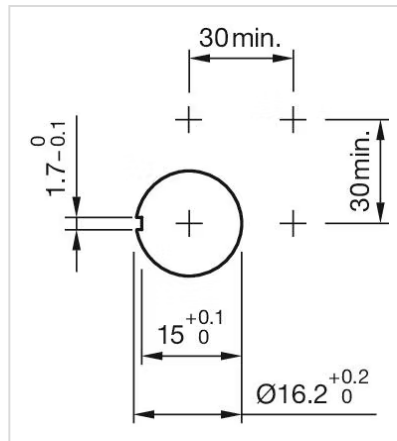
Hints:

If the anti-twist ring is not used the panel thickness increases to 4 mm

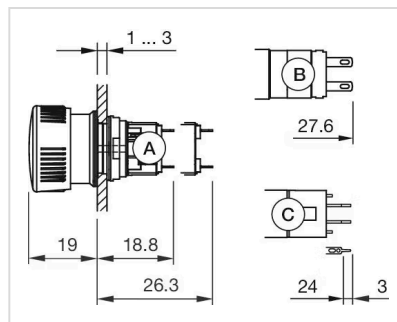
Wiring diagrams:



Mounting cut-outs:



Dimension drawings:



- A = Solder terminal
- B = Plug-in terminal 2.8 mm x 0.5 mm
- C = Universal terminal 2.0 mm x 0.5 mm