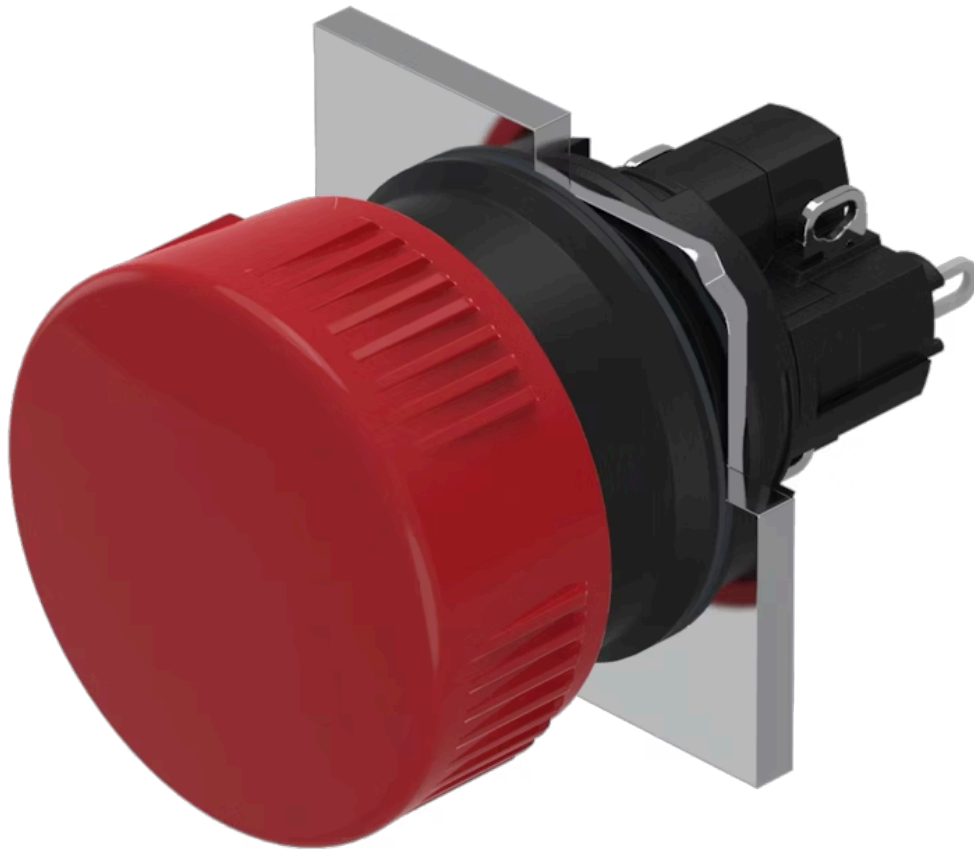


Actuator

51-
156.0252

Distribution by
DigiKey

DigiKey



<https://digikey.eao.com/p/51-156.0252>

Your product:



51-156.0252 Actuator

FRONT

Front bezel material:	Plastic
Front dimension:	Ø 24,5 mm
Front bezel colour:	Black

MOUNTING

Design:	raised
----------------	--------

OPERATING-/INDICATION PART

Lens material:	Plastic
Lens colour:	Red
Lens optics:	opaque
Lens shape:	mushroom-head
Lens illumination:	non illuminative

ELECTRICAL CHARACTERISTICS

Rated Operational Voltage U_e:	250 VAC/DC according to EN IEC 60947-1
---	--

Switching voltage and switching current:	250 VAC, 5 A (ohmic) 250 VAC, 3 A (Soldering terminal) 250 VAC, 2 A (inductive, cos(phi) = 0.7) 125 VAC, 3 A (inductive, cos(phi) = 0.7) 220 VDC, 0.1 A (inductive, L:R = 30 ms) 110 VDC, 0.2 A (inductive, L:R = 30 ms) 60 VDC, 0.7 A (inductive, L:R = 30 ms) 24 VDC, 2 A (inductive, L:R = 30 ms)
---	---

Contacts:	1 NC / 1 NO
------------------	-------------

Thermal current I_{th}:	The maximum current in continuous operation and at ambient temperature not exceeding the quoted maximum values.
--	---

3 A

Standards:	According to EN/IEC 61058-1
Protection class:	II
Electrical lifetime:	50 000 cycles of operation
Electric strength:	2500 VAC, 50 Hz, 1 min. between all terminals and earth, according to IEC 61058-1, part 15

MECHANICAL CHARACTERISTIC

Wire cross section:	Snap-action switching element with tinned soldering terminals at the sides Max. wire diameter 2 wires à 1.2 mm Max. wire cross-section of stranded cable 1 x 1 mm ²
Switching system:	Snap-action switching element
Switching system:	Self-cleaning, double-break snap action switching system, 1 normally closed and 1 normally open contact per element.
Terminal:	Soldering terminal
Operating force:	4 N ... 6 N
Weight:	0.011 kg
Switching action:	Momentary
Tightening torque:	Fixing nut max. 0.5 Nm
Contact material:	Gold
Mechanical lifetime:	2 Mio. cycles of operation
Operating Travel:	3 mm

AMBIENT CONDITION

IP front protection:	IP65, according to DIN EN 60529
Vibration resistance:	10 g at 10 Hz...1500 Hz, amplitude 0.75 mm (Sinusoidal), according to DIN EN 60512-4-4, DIN EN 60068-2-6
Climate resistance:	Standard condition, as per DIN EN 60068-2-30 Changing condition, as per DIN EN 60068-2-14
Shock resistance:	15 g for 11 ms, as per DIN / EN 60512-4-3, DIN / EN 60068-2-27 (Single impacts, semi-sinusoidal)
Storage temperature:	- 40 °C ... + 85 °C
Operating temperature:	- 25 °C ... + 55 °C

CERTIFICATE

Conformities:	CE, UKCA, 2011 / 65 / EC (RoHS), 2014 / 30 / EU (EMC), 2014 / 35 / EU (LVD)
----------------------	---

Approbations:

CB (IEC 61058-1), CQC, CSA, DNV, EAC, ENEC (EN 61058-1), UL, VDE

OTHER

Short Description:

Actuator, Ø 24,5 mm, mushroom-head, non illuminative, Red, Plastic, opaque, Black, Plastic, 1 NC / 1 NO, Momentary, Soldering terminal, IP65, according to DIN EN 60529

Housing colour:

Black

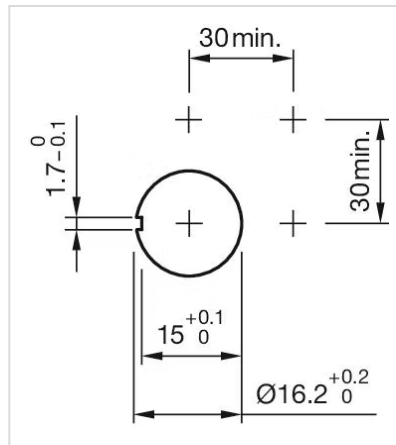
max. number of switching elements:

2

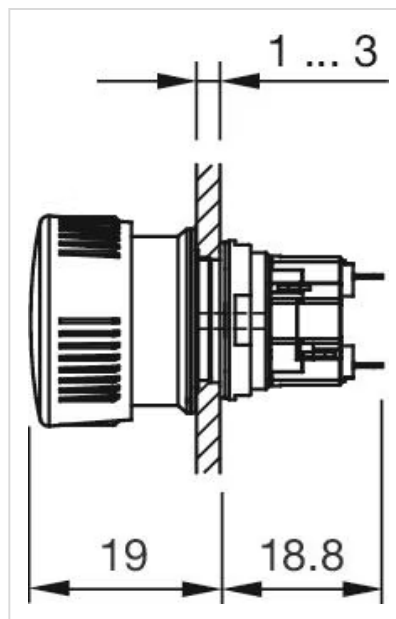
Hints:

If the anti-twist ring is not used the panel thickness increases to 4 mm

Mounting cut-outs:



Dimension drawings:



Wiring diagrams:

